

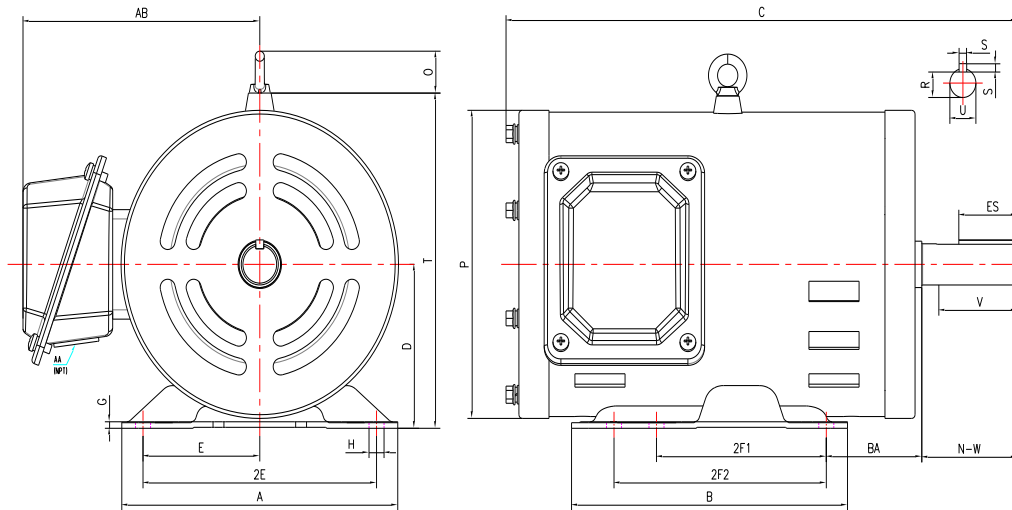
PE145T-3-2-ODP

GENERAL PURPOSE ELECTRIC MOTOR

NEMA PREMIUM EFFICIENCY

ROLLED STEEL CONSTRUCTION - OPEN DRIP PROOF

INVERTER DUTY 10:1 CT; 20:1 VT - NEMA MG1 PART 31



DIMENSIONS

HP	RPM	Frame	MOUNTING														
			A	B	C	D	G	H	J	E	2E	2F1	2F2	O	P	T	BA
3	3600	145T	6.50	6.50	12.00	3.50	0.12	0.35	NA	2.75	5.50	4.00	5.00	6.80	6.45	0.00	2.25

Shaft Extension, Key Set						Conduit Box		Bearings		Mount
U	V	R	S	ES	N-W	AA	AB	DE	ODE	
0.88	2.00	0.77	0.19	1.41	2.25	0.86	5.70	6205-ZZ	6205-ZZ	F1

BEARING LUBRICATION: The bearings come lubricated with Mobil Polyrex EM Polyurea Grease.





PE145T-3-2-ODP

GENERAL PURPOSE ELECTRIC MOTOR
NEMA PREMIUM EFFICIENCY
ROLLED STEEL CONSTRUCTION - OPEN DRIP PROOF
INVERTER DUTY 10:1 CT; 20:1 VT - NEMA MG1 PART 31

PERFORMANCE DATA

HP	RPM	Frame	Voltage	Frequency (Hz)	Full Load S.F.	Insulation Class	NEMA Design	Slip (%)	NEMA Code	Enclosure Type	IP Rating	Max. Ambient
3	3500	145T	208-230/460	60	1.15	F	B	2.78	K	ODP	23	40° C

Amps (460V)		Efficiency (%)				Power Factor			Torque (ft-lb)			DE Bearing	ODE Bearing	Connection	Weight (lbs.)
FLA	LRA	100%	75%	50%	Min.	100%	75%	50%	FLT	LRT %	BDT %				
3.7	32.0	85.5	84.5	82.0	82.5	0.870	0.840	0.720	4.5	200	280	6205-ZZ	6205-ZZ	9 Lead 2Y/Y	43

NAME PLATE

										CONNECTION DIAGRAMS			
INVERTER DUTY 20:1 VT; 10:1 CT										<p>208-230V</p> <p>460V</p>			
CAT NO: PE145T-3-2-ODP			FRAME 145T			PHASE 3							
HZ 60	S.F. 1.15	HZ 50	S.F. 1.0	ENCL ODP	IP 23								
HP 3	RPM 3500	HP 3	RPM 2900	DUTY CONT	DES B								
VOLTS 208-230/460		VOLTS 190/380		AMB 40° C	INS F								
FLA 8.1 - 7.4 / 3.7	FLA 9.0/4.5		DE BEARING 6205-ZZ										
CODE K	P.F. 0.87	CODE H	P.F. 0.89	ODE BEARING 6205-ZZ									
EFF 85.5	MIN 82.5	EFF 83.5	MIN 80.5	LUB: Mobil Polyrex EM									
MOTOR WEIGHT 43 LBS	CONNECTION 9 Lead 2Y/Y		SER NO										
<p>General purpose use on industrial machinery installed in environments with minimal dirt and moisture.</p> <p>Hernando, Mississippi</p> <p>CC 082A</p>													

APPLICATIONS:

General purpose use on pumps, fans, blowers, compressors, conveyors, material handling and other industrial machinery installed in environments with minimal dirt and moisture.