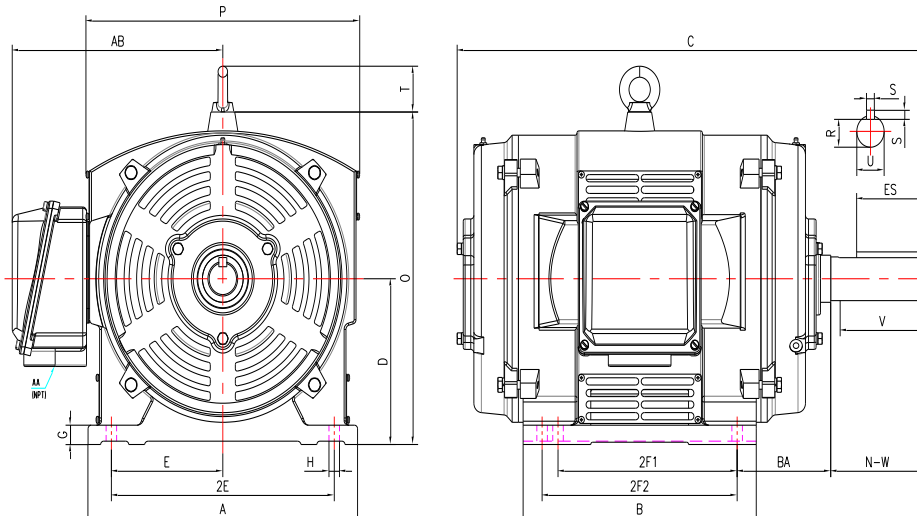


**PE445TS-200-4-ODP**

**GENERAL PURPOSE ELECTRIC MOTOR**  
**NEMA PREMIUM EFFICIENCY**  
**CAST IRON CONSTRUCTION - OPEN DRIP PROOF**  
**INVERTER DUTY 10:1 CT; 20:1 VT - NEMA MG1 PART 31**



**DIMENSIONS**

HP	RPM	Frame	MOUNTING														
			A	B	C	D	G	H	J	E	2E	2F1	2F2	O	P	T	BA
200	1800	445TS	22.30	20.80	34.75	11.00	1.15	0.81	NA	9.00	18.00	14.50	16.50	22.60	23.30	3.00	7.50

Shaft Extension, Key Set						Conduit Box		Bearings		Mount
U	V	R	S	ES	N-W	AA	AB	DE	ODE	
2.38	4.50	2.02	0.63	3.03	4.75	3.00	18.90	6319	6318	F1

**BEARING LUBRICATION:** The bearings come lubricated with Mobil Polyrex EM Polyurea Grease. It is recommended that you add some additional lubrication when the motor is installed.

Three options (brands) for suitable lubrication include, but are not limited to, the following:

- 1.) Mobil Polyrex EM
- 2.) Citco Polyurea MP
- 3.) Conoco Phillips Polytac EP





**PE445TS-200-4-ODP**

**GENERAL PURPOSE ELECTRIC MOTOR  
 NEMA PREMIUM EFFICIENCY  
 CAST IRON CONSTRUCTION - OPEN DRIP PROOF  
 INVERTER DUTY 10:1 CT; 20:1 VT - NEMA MG1 PART 31**

**PERFORMANCE DATA**

HP	RPM	Frame	Voltage	Frequency (Hz)	Full Load S.F.	Insulation Class	NEMA Design	Slip (%)	NEMA Code	Enclosure Type	IP Rating	Max. Ambient
200	1790	445TS	460	60	1.15	F	B	0.56	G	ODP	23	40° C

Amps (460V)		Efficiency (%)				Power Factor			Torque (ft-lb)			DE Bearing	ODE Bearing	Connection	Weight (lbs.)
FLA	LRA	100%	75%	50%	Min.	100%	75%	50%	FLT	LRT %	BDT %				
220	1450	95.8	96.0	95.5	95.0	0.88	0.88	0.84	590.3	150	240	6319	6318	6 Lead Δ	1790

**NAME PLATE**

										<b>CONNECTION DIAGRAMS (460V)</b>					
<b>INVERTER DUTY 20:1 VT; 10:1 CT</b>										<b>Across The Line</b> 					
CAT NO:		PE445TS-200-4-ODP			FRAME		445TS		PHASE		3		<b>PWS Start</b> 		
HZ	60	S.F.	1.15	HZ	50	S.F.	1.0	ENCL	ODP	IP	23	<b>PWS Run</b> 			
HP	200	RPM	1790	HP	200	RPM	1488	DUTY	CONT	DES	B				
VOLTS		460			VOLTS		380		AMB	40° C		INS	F		
FLA		220.0			FLA		270		DE BEARING			6319			
CODE	G	P.F.	0.88	CODE	D	P.F.	0.88	ODE BEARING			6318				
EFF	95.8	MIN	95.0	EFF	95	MIN	94.1	LUB:			Mobil Polyrex EM				
MOTOR WEIGHT		1790	LBS	CONNECTION			6 Lead Δ		SER NO						
General purpose use on industrial machinery installed in environments with minimal dirt and moisture. ISO9001 CERTIFIED    CE    SP US    cc.082A Hernando, Mississippi															

**APPLICATIONS:**

General purpose use on pumps, fans, blowers, compressors, conveyors, material handling and other industrial machinery installed in environments with minimal dirt and moisture.