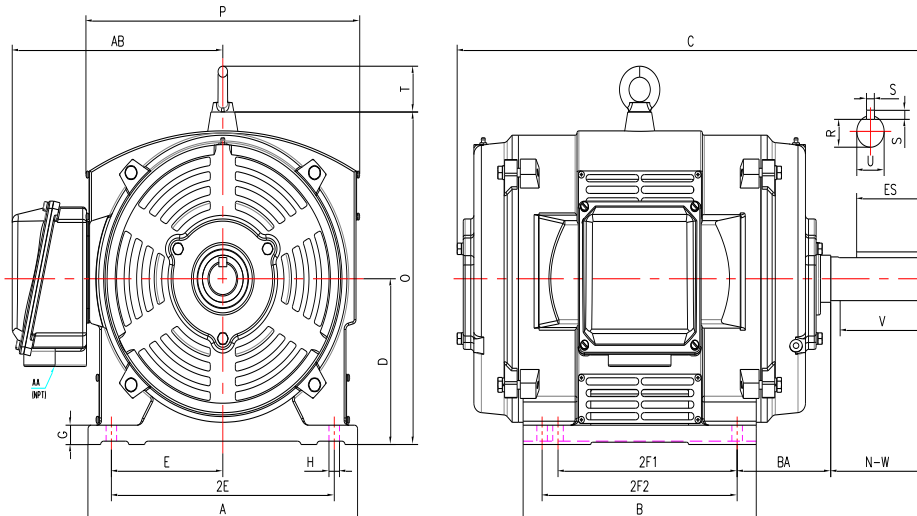


PE405TS-150-2-ODP

GENERAL PURPOSE ELECTRIC MOTOR
 NEMA PREMIUM EFFICIENCY
 CAST IRON CONSTRUCTION - OPEN DRIP PROOF
 INVERTER DUTY 10:1 CT; 20:1 VT - NEMA MG1 PART 31



DIMENSIONS

HP	RPM	Frame	MOUNTING														
			A	B	C	D	G	H	J	E	2E	2F1	2F2	O	P	T	BA
150	3600	405TS	19.10	17.00	30.30	10.00	1.15	0.81	NA	8.00	16.00	12.25	13.75	21.00	20.25	2.60	6.62

Shaft Extension, Key Set						Conduit Box		Bearings		Mount
U	V	R	S	ES	N-W	AA	AB	DE	ODE	
2.13	4.00	1.85	0.50	2.78	4.25	3.00	14.50	6314	6314	F1

BEARING LUBRICATION: The bearings come lubricated with Mobil Polyrex EM Polyurea Grease. It is recommended that you add some additional lubrication when the motor is installed.

Three options (brands) for suitable lubrication include, but are not limited to, the following:

- 1.) Mobil Polyrex EM
- 2.) Citco Polyurea MP
- 3.) Conoco Phillips Polytac EP





PE405TS-150-2-ODP

**GENERAL PURPOSE ELECTRIC MOTOR
 NEMA PREMIUM EFFICIENCY
 CAST IRON CONSTRUCTION - OPEN DRIP PROOF
 INVERTER DUTY 10:1 CT; 20:1 VT - NEMA MG1 PART 31**

PERFORMANCE DATA

HP	RPM	Frame	Voltage	Frequency (Hz)	Full Load S.F.	Insulation Class	NEMA Design	Slip (%)	NEMA Code	Enclosure Type	IP Rating	Max. Ambient
150	3575	405TS	460	60	1.15	F	B	0.69	G	ODP	23	40° C

Amps (460V)		Efficiency (%)				Power Factor			Torque (ft-lb)			DE Bearing	ODE Bearing	Connection	Weight (lbs.)
FLA	LRA	100%	75%	50%	Min.	100%	75%	50%	FLT	LRT %	BDT %				
166	1085	94.1	93.5	93.0	93.0	0.90	0.88	0.84	220.4	150	250	6314	6314	6 Lead Δ	1076

NAME PLATE

										CONNECTION DIAGRAMS (460V)							
INVERTER DUTY 20:1 VT; 10:1 CT										Across The Line 							
CAT NO:		PE405TS-150-2-ODP			FRAME		405TS		PHASE		3		PWS Start 				
HZ	60	S.F.	1.15	HZ	50	S.F.	1.0	ENCL	ODP	IP	23	PWS Run 					
HP	150	RPM	3575	HP	150	RPM	2980	DUTY	CONT	DES	B						
VOLTS		460			VOLTS		380		AMB	40° C	INS	F					
FLA		166.0			FLA		197		DE BEARING		6314						
CODE	G	P.F.	0.90	CODE	D	P.F.	0.92	ODE BEARING		6314							
EFF	94.1	MIN	93.0	EFF	92.4	MIN	91.3	LUB:		Mobil Polyrex EM							
MOTOR WEIGHT		1076	LBS	CONNECTION		6 Lead Δ		SER NO									
General purpose use on industrial machinery installed in environments with minimal dirt and moisture.																CC 082A	
Hernando, Mississippi																	

APPLICATIONS:

General purpose use on pumps, fans, blowers, compressors, conveyors, material handling and other industrial machinery installed in environments with minimal dirt and moisture.