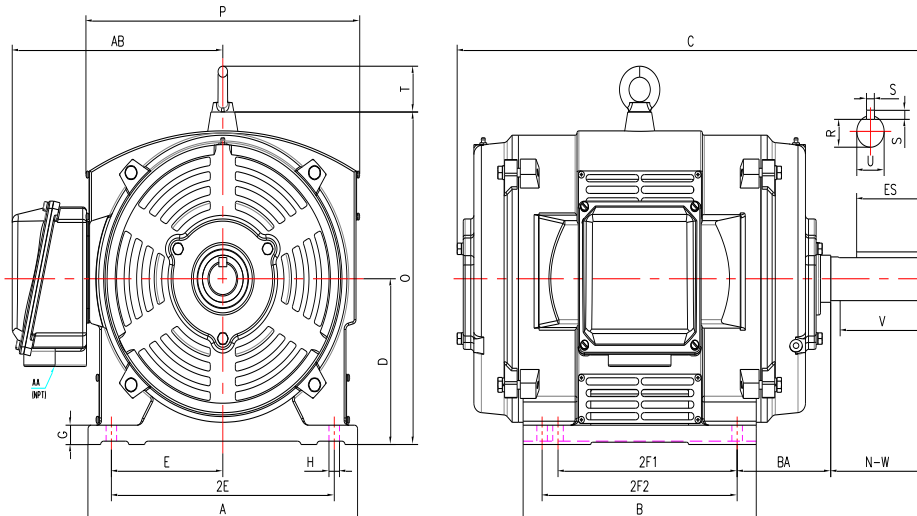


**PE404TS-125-2-ODP**

**GENERAL PURPOSE ELECTRIC MOTOR**  
**NEMA PREMIUM EFFICIENCY**  
**CAST IRON CONSTRUCTION - OPEN DRIP PROOF**  
**INVERTER DUTY 10:1 CT; 20:1 VT - NEMA MG1 PART 31**



**DIMENSIONS**

HP	RPM	Frame	MOUNTING														
			A	B	C	D	G	H	J	E	2E	2F1	2F2	O	P	T	BA
125	3600	404TS	19.10	17.00	30.30	10.00	1.15	0.81	NA	8.00	16.00	12.25	13.75	21.00	20.25	2.60	6.62

Shaft Extension, Key Set						Conduit Box		Bearings		Mount
U	V	R	S	ES	N-W	AA	AB	DE	ODE	
2.13	4.00	1.85	0.50	2.78	4.25	3.00	14.50	6314	6314	F1

**BEARING LUBRICATION:** The bearings come lubricated with Mobil Polyrex EM Polyurea Grease. It is recommended that you add some additional lubrication when the motor is installed.

Three options (brands) for suitable lubrication include, but are not limited to, the following:

- 1.) Mobil Polyrex EM
- 2.) Citco Polyurea MP
- 3.) Conoco Phillips Polytac EP





**PE404TS-125-2-ODP**

**GENERAL PURPOSE ELECTRIC MOTOR  
 NEMA PREMIUM EFFICIENCY  
 CAST IRON CONSTRUCTION - OPEN DRIP PROOF  
 INVERTER DUTY 10:1 CT; 20:1 VT - NEMA MG1 PART 31**

**PERFORMANCE DATA**

HP	RPM	Frame	Voltage	Frequency (Hz)	Full Load S.F.	Insulation Class	NEMA Design	Slip (%)	NEMA Code	Enclosure Type	IP Rating	Max. Ambient
125	3575	404TS	460	60	1.15	F	B	0.69	G	ODP	23	40° C

Amps (460V)		Efficiency (%)				Power Factor			Torque (ft-lb)			DE Bearing	ODE Bearing	Connection	Weight (lbs.)
FLA	LRA	100%	75%	50%	Min.	100%	75%	50%	FLT	LRT %	BDT %				
138	907	94.1	93.5	93.0	93.0	0.90	0.88	0.84	183.8	140	250	6314	6314	6 Lead Δ	1003

**NAME PLATE**

										<b>CONNECTION DIAGRAMS (460V)</b>							
<b>INVERTER DUTY 20:1 VT; 10:1 CT</b>										<b>Across The Line</b> 							
CAT NO:		PE404TS-125-2-ODP			FRAME		404TS		PHASE		3		<b>PWS Start</b> 				
HZ	60	S.F.	1.15	HZ	50	S.F.	1.0	ENCL	ODP	IP	23	<b>PWS Run</b> 					
HP	125	RPM	3575	HP	125	RPM	2980	DUTY	CONT	DES	B						
VOLTS		460			VOLTS		380		AMB	40° C		INS	F				
FLA		138.0			FLA		164		DE BEARING		6314						
CODE	G	P.F.	0.90	CODE	D	P.F.	0.92	ODE BEARING		6314							
EFF	94.1	MIN	93.0	EFF	92.4	MIN	91.3	LUB:			Mobil Polyrex EM						
MOTOR WEIGHT		1003	LBS	CONNECTION		6 Lead Δ			SER NO								
General purpose use on industrial machinery installed in environments with minimal dirt and moisture. Hernando, Mississippi																CC 082A	

**APPLICATIONS:**

General purpose use on pumps, fans, blowers, compressors, conveyors, material handling and other industrial machinery installed in environments with minimal dirt and moisture.