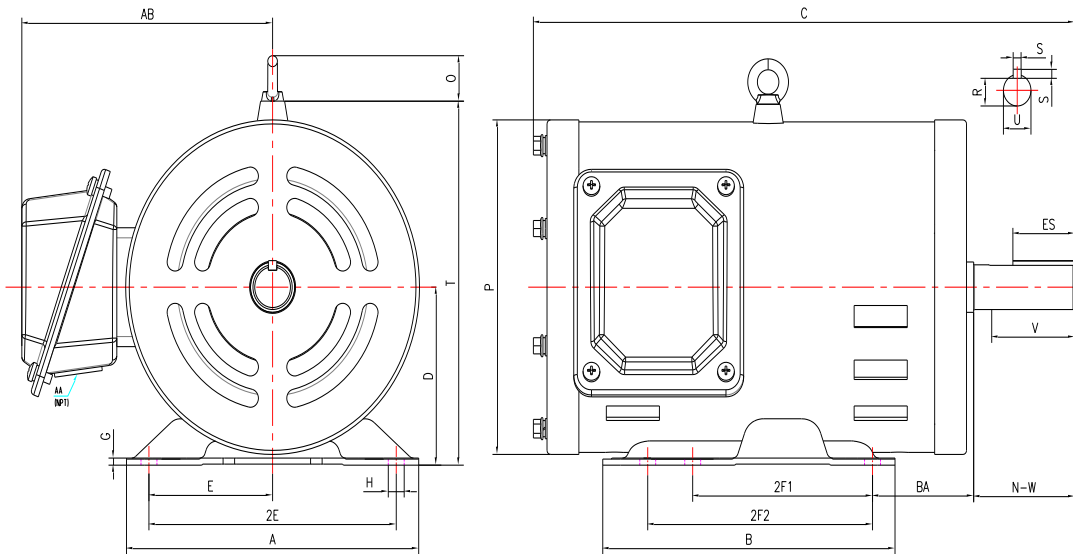


PE215T-15-2-ODP

**GENERAL PURPOSE ELECTRIC MOTOR
 NEMA PREMIUM EFFICIENCY
 ROLLED STEEL CONSTRUCTION - OPEN DRIP PROOF
 INVERTER DUTY 10:1 CT; 20:1 VT - NEMA MG1 PART 31**



DIMENSIONS

HP	RPM	Frame	MOUNTING														
			A	B	C	D	G	H	J	E	2E	2F1	2F2	O	P	T	BA
15	3600	215T	9.53	8.03	17.52	5.25	0.16	0.43	NA	4.25	8.50	5.50	7.00	11.20	10.10	1.70	3.50

Shaft Extension, Key Set						Conduit Box		Bearings		Mount
U	V	R	S	ES	N-W	AA	AB	DE	ODE	
1.38	3.12	1.20	0.31	2.41	3.38	0.86	7.80	6208-ZZ	6208-ZZ	F1

BEARING LUBRICATION: The bearings come lubricated with Mobil Polyrex EM Polyurea Grease.





PE215T-15-2-ODP

GENERAL PURPOSE ELECTRIC MOTOR
 NEMA PREMIUM EFFICIENCY
 ROLLED STEEL CONSTRUCTION - OPEN DRIP PROOF
 INVERTER DUTY 10:1 CT; 20:1 VT - NEMA MG1 PART 31

PERFORMANCE DATA

HP	RPM	Frame	Voltage	Frequency (Hz)	Full Load S.F.	Insulation Class	NEMA Design	Slip (%)	NEMA Code	Enclosure Type	IP Rating	Max. Ambient
15	3545	215T	208-230/460	60	1.15	F	B	1.53	G	ODP	23	40° C

Amps (460V)		Efficiency (%)				Power Factor			Torque (ft-lb)			DE Bearing	ODE Bearing	Connection	Weight (lbs.)
FLA	LRA	100%	75%	50%	Min.	100%	75%	50%	FLT	LRT %	BDT %				
19.0	116.0	90.2	89.5	89.0	88.5	0.890	0.740	0.620	22.2	150	260	6208-ZZ	6208-ZZ	12 Lead 2Δ/Δ	156

NAME PLATE

NEMA Premium INVERTER DUTY 20:1 VT; 10:1 CT										CONNECTION DIAGRAMS 208-230V 		
CAT NO: PE215T-15-2-ODP			FRAME 215T			PHASE 3						
HZ 60		S.F. 1.15		HZ 50		S.F. 1.0		ENCL ODP		IP 23		
HP 15		RPM 3545		HP 15		RPM 2930		DUTY CONT		DES B		
VOLTS 208-230/460			VOLTS 190/380			AMB 40° C			INS F			
FLA 41.8 - 38 / 19		FLA 42/21			DE BEARING 6208-ZZ							
CODE G		P.F. 0.89		CODE E		P.F. 0.90		ODE BEARING 6208-ZZ				
EFF 90.2		MIN 88.5		EFF 88.2		MIN 86.5		LUB: Mobil Polyrex EM				
MOTOR WEIGHT 156 LBS		CONNECTION 12 Lead 2Δ/Δ			SER NO							
General purpose use on industrial machinery installed in environments with minimal dirt and moisture. Hernando, Mississippi										460V 		
ISO9001 CERTIFIED CE SP US CC 082A												

APPLICATIONS:

General purpose use on pumps, fans, blowers, compressors, conveyors, material handling and other industrial machinery installed in environments with minimal dirt and moisture.