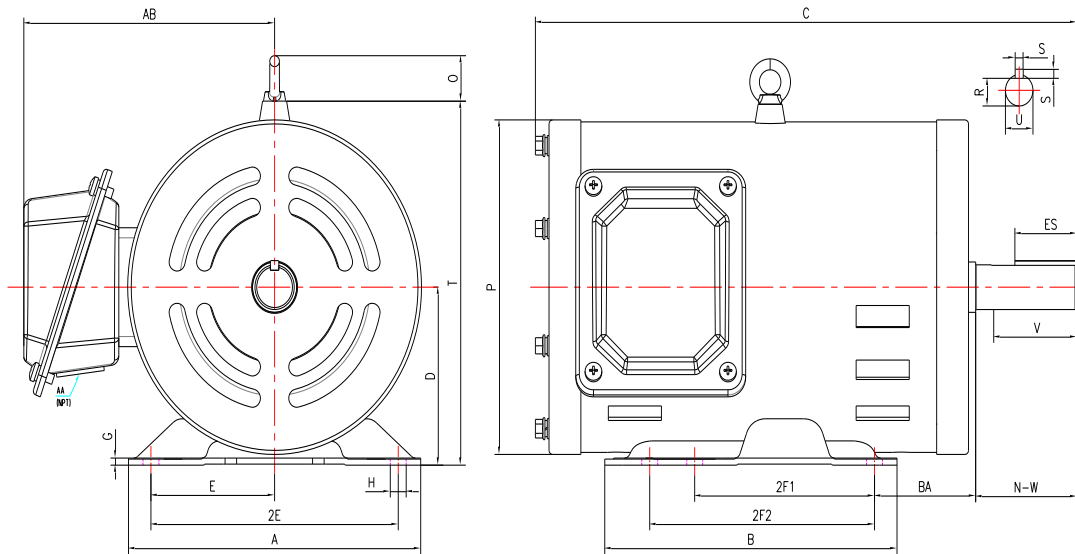


PE215T-10-4-ODP

GENERAL PURPOSE ELECTRIC MOTOR
NEMA PREMIUM EFFICIENCY
ROLLED STEEL CONSTRUCTION - OPEN DRIP PROOF
INVERTER DUTY 10:1 CT; 20:1 VT - NEMA MG1 PART 31



DIMENSIONS

HP	RPM	Frame	MOUNTING														
			A	B	C	D	G	H	J	E	2E	2F1	2F2	O	P	T	BA
10	1800	215T	9.53	8.03	17.52	5.25	0.16	0.43	NA	4.25	8.50	5.50	7.00	11.20	10.10	1.70	3.50

Shaft Extension, Key Set						Conduit Box		Bearings		Mount
U	V	R	S	ES	N-W	AA	AB	DE	ODE	
1.38	3.12	1.20	0.31	2.41	3.38	0.86	7.80	6208-ZZ	6208-ZZ	F1

BEARING LUBRICATION: The bearings come lubricated with Mobil Polyrex EM Polyurea Grease.





PE215T-10-4-ODP

GENERAL PURPOSE ELECTRIC MOTOR
 NEMA PREMIUM EFFICIENCY
 ROLLED STEEL CONSTRUCTION - OPEN DRIP PROOF
 INVERTER DUTY 10:1 CT; 20:1 VT - NEMA MG1 PART 31

PERFORMANCE DATA

HP	RPM	Frame	Voltage	Frequency (Hz)	Full Load S.F.	Insulation Class	NEMA Design	Slip (%)	NEMA Code	Enclosure Type	IP Rating	Max. Ambient
10	1775	215T	208-230/460	60	1.15	F	B	1.39	H	ODP	23	40° C

Amps (460V)		Efficiency (%)				Power Factor			Torque (ft-lb)			DE Bearing	ODE Bearing	Connection	Weight (lbs.)
FLA	LRA	100%	75%	50%	Min.	100%	75%	50%	FLT	LRT %	BDT %				
13.0	81.0	91.7	91.0	89.0	90.2	0.790	0.750	0.640	30.0	190	270	6208-ZZ	6208-ZZ	12 Lead 2Δ/Δ	154

NAME PLATE

<p>INVERTER DUTY 20:1 VT; 10:1 CT</p>										<p>CONNECTION DIAGRAMS</p> <p>208-230V</p>		
CAT NO: PE215T-10-4-ODP		FRAME 215T		PHASE 3								
HZ 60	S.F. 1.15	HZ 50	S.F. 1.0	ENCL ODP	IP 23							
HP 10	RPM 1775	HP 10	RPM 1460	DUTY CONT	DES B							
VOLTS 208-230/460		VOLTS 190/380		AMB 40° C	INS F							
FLA 28.6 - 26 / 13	FLA 30/15		DE BEARING 6208-ZZ									
CODE H	P.F. 0.79	CODE E	P.F. 0.84	ODE BEARING 6208-ZZ								
EFF 91.7	MIN 90.2	EFF 89.7	MIN 88.2	LUB: Mobil Polyrex EM								
MOTOR WEIGHT 154 LBS	CONNECTION 12 Lead 2Δ/Δ		SER NO									
<p>General purpose use on industrial machinery installed in environments with minimal dirt and moisture.</p> <p>Hernando, Mississippi</p> <p>CC 082A</p>						<p>460V</p>						

APPLICATIONS:

General purpose use on pumps, fans, blowers, compressors, conveyors, material handling and other industrial machinery installed in environments with minimal dirt and moisture.