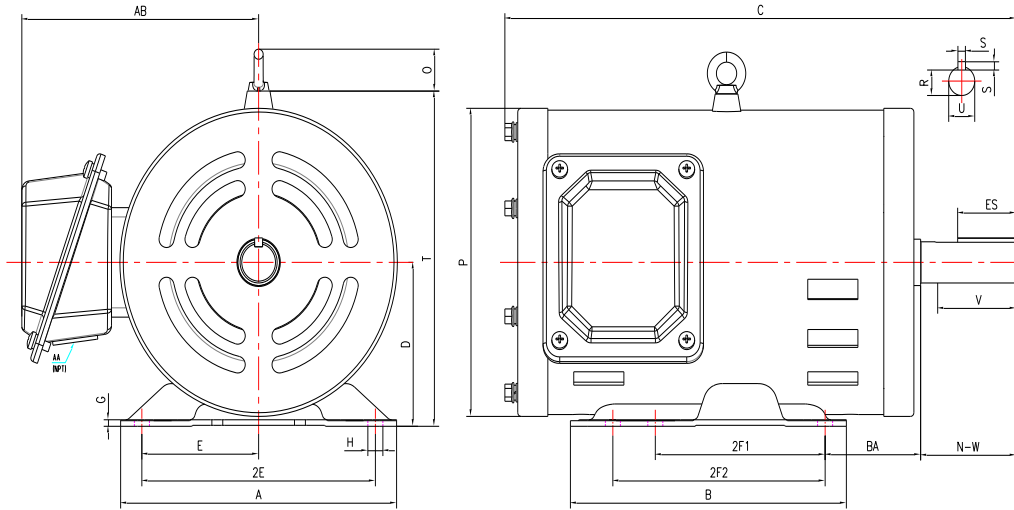


**PE182T-5-2-ODP**

GENERAL PURPOSE ELECTRIC MOTOR  
 NEMA PREMIUM EFFICIENCY  
 ROLLED STEEL CONSTRUCTION - OPEN DRIP PROOF  
 INVERTER DUTY 10:1 CT; 20:1 VT - NEMA MG1 PART 31



**DIMENSIONS**

HP	RPM	Frame	MOUNTING														
			A	B	C	D	G	H	J	E	2E	2F1	2F2	O	P	T	BA
5	3600	182T	8.82	6.50	14.10	4.50	0.12	0.71*0.47	NA	3.75	7.50	4.50	5.50	9.50	8.55	1.60	2.75

Shaft Extension, Key Set						Conduit Box		Bearings		Mount
U	V	R	S	ES	N-W	AA	AB	DE	ODE	
1.13	2.50	0.99	0.25	1.78	2.75	0.86	7.00	6206-ZZ	6206-ZZ	

**BEARING LUBRICATION:** The bearings come lubricated with Mobil Polyrex EM Polyurea Grease.





## PE182T-5-2-ODP

**GENERAL PURPOSE ELECTRIC MOTOR**  
**NEMA PREMIUM EFFICIENCY**  
**ROLLED STEEL CONSTRUCTION - OPEN DRIP PROOF**  
**INVERTER DUTY 10:1 CT; 20:1 VT - NEMA MG1 PART 31**

### PERFORMANCE DATA

HP	RPM	Frame	Voltage	Frequency (Hz)	Full Load S.F.	Insulation Class	NEMA Design	Slip (%)	NEMA Code	Enclosure Type	IP Rating	Max. Ambient
5	3520	182T	208-230/460	60	1.15	F	B	2.22	J	ODP	23	40° C

Amps (460V)		Efficiency (%)				Power Factor			Torque (ft-lb)			DE Bearing	ODE Bearing	Connection	Weight (lbs.)
FLA	LRA	100%	75%	50%	Min.	100%	75%	50%	FLT	LRT %	BDT %				
6.2	46.0	86.5	86.0	83.7	84.0	0.880	0.840	0.740	7.5	200	280	6206-ZZ	6206-ZZ	9 Lead 2Y/Y	82

### NAME PLATE

										<b>NEMA Premium</b>				CONNECTION DIAGRAMS			
INVERTER DUTY 20:1 VT; 10:1 CT																	
CAT NO:		PE182T-5-2-ODP				FRAME		182T		PHASE		3		<b>208-230V</b> 			
HZ	60	S.F.	1.15	HZ	50	S.F.	1.0	ENCL	ODP	IP	23						
HP	5	RPM	3520	HP	5	RPM	2900	DUTY	CONT	DES	B						
VOLTS		208-230/460		VOLTS		190/380		AMB	40° C	INS	F						
FLA	13.6 - 12.4 / 6.2		FLA		14/7.0		DE BEARING		6206-ZZ								
CODE	J	P.F.	0.88	CODE	G	P.F.	0.92	ODE BEARING		6206-ZZ							
EFF	86.5	MIN	84.0	EFF	84.5	MIN	82	LUB:		Mobil Polyrex EM							
MOTOR WEIGHT		82	LBS	CONNECTION		9 Lead 2Y/Y		SER NO									
General purpose use on industrial machinery installed in environments with minimal dirt and moisture. Hernando, Mississippi																CC 082A	

### APPLICATIONS:

General purpose use on pumps, fans, blowers, compressors, conveyors, material handling and other industrial machinery installed in environments with minimal dirt and moisture.