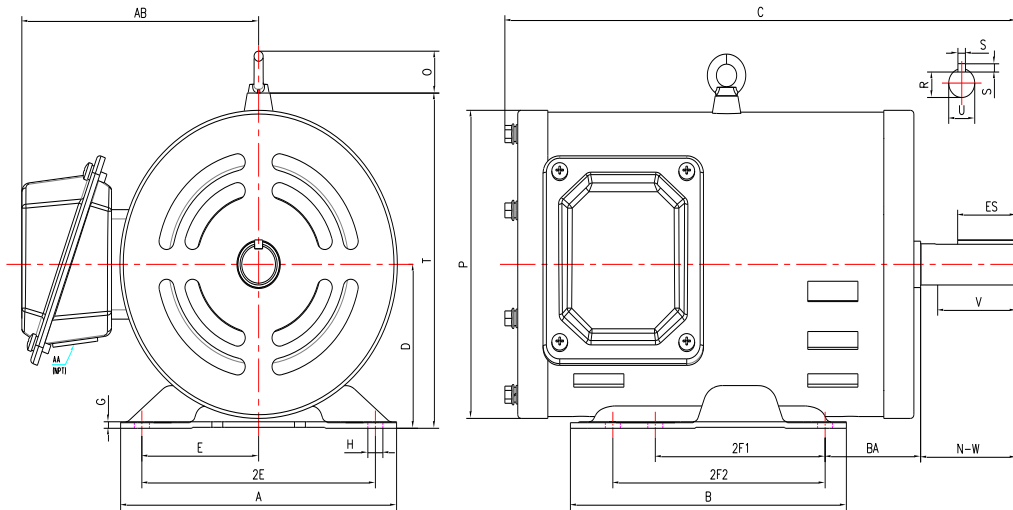


PE182T-3-4-ODP

GENERAL PURPOSE ELECTRIC MOTOR
 NEMA PREMIUM EFFICIENCY
 ROLLED STEEL CONSTRUCTION - OPEN DRIP PROOF
 INVERTER DUTY 10:1 CT; 20:1 VT - NEMA MG1 PART 31



DIMENSIONS

HP	RPM	Frame	MOUNTING														
			A	B	C	D	G	H	J	E	2E	2F1	2F2	O	P	T	BA
3	1800	182T	8.82	6.50	14.10	4.50	0.12	0.71*0.47	NA	3.75	7.50	4.50	5.50	9.50	8.55	1.60	2.75

Shaft Extension, Key Set						Conduit Box		Bearings		Mount
U	V	R	S	ES	N-W	AA	AB	DE	ODE	
1.13	2.50	0.99	0.25	1.78	2.75	0.86	7.00	6206-ZZ	6206-ZZ	F1

BEARING LUBRICATION: The bearings come lubricated with Mobil Polyrex EM Polyurea Grease.





PE182T-3-4-ODP

GENERAL PURPOSE ELECTRIC MOTOR
NEMA PREMIUM EFFICIENCY
ROLLED STEEL CONSTRUCTION - OPEN DRIP PROOF
INVERTER DUTY 10:1 CT; 20:1 VT - NEMA MG1 PART 31

PERFORMANCE DATA

HP	RPM	Frame	Voltage	Frequency (Hz)	Full Load S.F.	Insulation Class	NEMA Design	Slip (%)	NEMA Code	Enclosure Type	IP Rating	Max. Ambient
3	1770	182T	208-230/460	60	1.15	F	B	1.67	K	ODP	23	40° C

Amps (460V)		Efficiency (%)				Power Factor			Torque (ft-lb)			DE Bearing	ODE Bearing	Connection	Weight (lbs.)
FLA	LRA	100%	75%	50%	Min.	100%	75%	50%	FLT	LRT %	BDT %				
4.1	32.0	89.5	89.1	87.6	87.5	0.760	0.690	0.560	9.0	200	300	6206-ZZ	6206-ZZ	9 Lead 2Y/Y	82

NAME PLATE

														CONNECTION DIAGRAMS			
INVERTER DUTY 20:1 VT; 10:1 CT																	
CAT NO:		PE182T-3-4-ODP				FRAME		182T		PHASE		3		208-230V 			
HZ	60	S.F.	1.15	HZ	50	S.F.	1.0	ENCL	ODP	IP	23						
HP	3	RPM	1770	HP	3	RPM	1450	DUTY	CONT	DES	B	460V 					
VOLTS	208-230/460			VOLTS	190/380			AMB	40° C	INS	F						
FLA	9 - 8.2 / 4.1		FLA	9.8/4.9			DE BEARING		6206-ZZ								
CODE	K	P.F.	0.76	CODE	H	P.F.	0.80	ODE BEARING		6206-ZZ							
EFF	89.5	MIN	87.5	EFF	87.5	MIN	85.5	LUB:		Mobil Polyrex EM							
MOTOR WEIGHT	82	LBS	CONNECTION		9 Lead 2Y/Y			SER NO									
General purpose use on industrial machinery installed in environments with minimal dirt and moisture. Hernando, Mississippi																CC 082A	

APPLICATIONS:

General purpose use on pumps, fans, blowers, compressors, conveyors, material handling and other industrial machinery installed in environments with minimal dirt and moisture.