

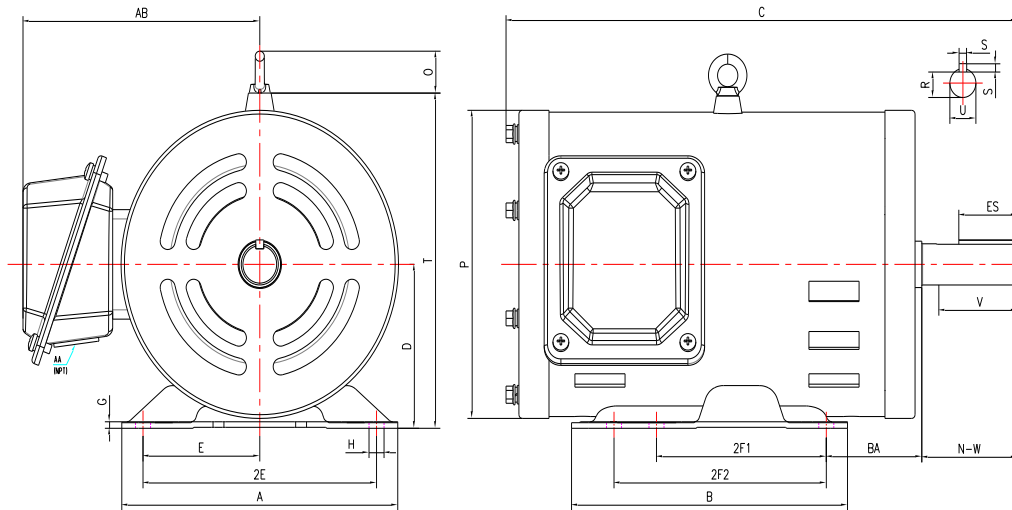
PE145T-2-4-ODP

GENERAL PURPOSE ELECTRIC MOTOR

NEMA PREMIUM EFFICIENCY

ROLLED STEEL CONSTRUCTION - OPEN DRIP PROOF

INVERTER DUTY 10:1 CT; 20:1 VT - NEMA MG1 PART 31



DIMENSIONS

HP	RPM	Frame	MOUNTING														
			A	B	C	D	G	H	J	E	2E	2F1	2F2	O	P	T	BA
2	1800	145T	6.50	6.50	12.00	3.50	0.12	0.35	NA	2.75	5.50	4.00	5.00	6.80	6.45	0.00	2.25

Shaft Extension, Key Set						Conduit Box		Bearings		Mount
U	V	R	S	ES	N-W	AA	AB	DE	ODE	
0.88	2.00	0.77	0.19	1.41	2.25	0.86	5.70	6205-ZZ	6205-ZZ	F1

BEARING LUBRICATION: The bearings come lubricated with Mobil Polyrex EM Polyurea Grease.





PE145T-2-4-ODP

GENERAL PURPOSE ELECTRIC MOTOR

NEMA PREMIUM EFFICIENCY

ROLLED STEEL CONSTRUCTION - OPEN DRIP PROOF

INVERTER DUTY 10:1 CT; 20:1 VT - NEMA MG1 PART 31

PERFORMANCE DATA

HP	RPM	Frame	Voltage	Frequency (Hz)	Full Load S.F.	Insulation Class	NEMA Design	Slip (%)	NEMA Code	Enclosure Type	IP Rating	Max. Ambient
2	1745	145T	208-230/460	60	1.15	F	B	3.06	L	ODP	23	40° C

Amps (460V)		Efficiency (%)				Power Factor			Torque (ft-lb)			DE Bearing	ODE Bearing	Connection	Weight (lbs.)
FLA	LRA	100%	75%	50%	Min.	100%	75%	50%	FLT	LRT %	BDT %				
3.0	25.0	86.5	86.5	84.5	84.0	0.730	0.650	0.520	6.1	235	280	6205-ZZ	6205-ZZ	9 Lead 2Y/Y	43

NAME PLATE

										CONNECTION DIAGRAMS 208-230V 			
INVERTER DUTY 20:1 VT; 10:1 CT													
CAT NO:		PE145T-2-4-ODP			FRAME		145T		PHASE		3		
HZ	60	S.F.	1.15	HZ	50	S.F.	1.0	ENCL	ODP	IP	23		
HP	2	RPM	1745	HP	2	RPM	1415	DUTY	CONT	DES	B		
VOLTS		208-230/460			VOLTS		190/380		AMB	40° C		INS	F
FLA	6.6 - 6 / 3			FLA	7.0/3.5			DE BEARING		6205-ZZ			
CODE	L	P.F.	0.73	CODE	H	P.F.	0.79	ODE BEARING		6205-ZZ			
EFF	86.5	MIN	84.0	EFF	84	MIN	81.5	LUB:		Mobil Polyrex EM			
MOTOR WEIGHT		43	LBS	CONNECTION		9 Lead 2Y/Y		SER NO					
General purpose use on industrial machinery installed in environments with minimal dirt and moisture. Hernando, Mississippi										CC 082A			
										460V 			

APPLICATIONS:

General purpose use on pumps, fans, blowers, compressors, conveyors, material handling and other industrial machinery installed in environments with minimal dirt and moisture.