

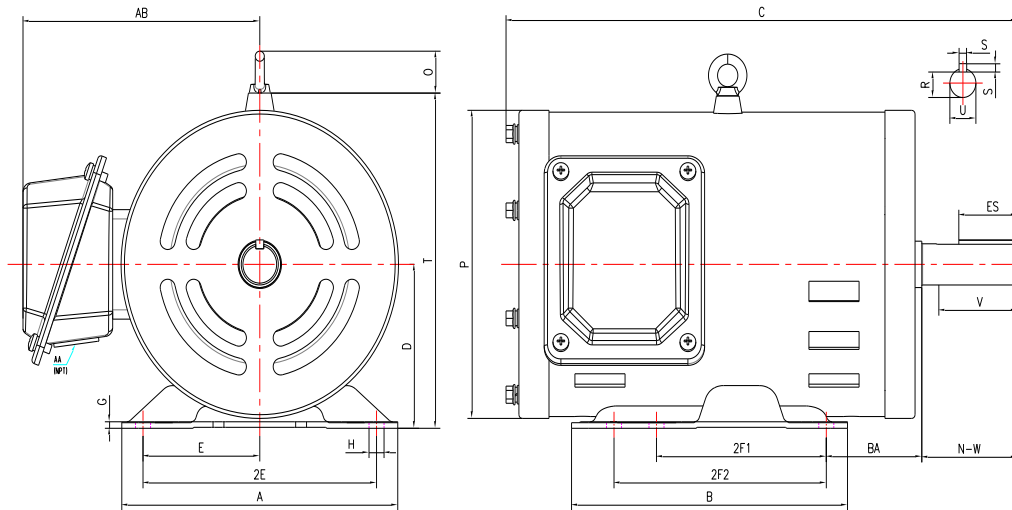
PE143T-1.5-2-ODP

GENERAL PURPOSE ELECTRIC MOTOR

NEMA PREMIUM EFFICIENCY

ROLLED STEEL CONSTRUCTION - OPEN DRIP PROOF

INVERTER DUTY 10:1 CT; 20:1 VT - NEMA MG1 PART 31



DIMENSIONS

HP	RPM	Frame	MOUNTING														
			A	B	C	D	G	H	J	E	2E	2F1	2F2	O	P	T	BA
1.5	3600	143T	6.50	6.50	11.22	3.50	0.12	0.35	NA	2.75	5.50	4.00	5.00	6.80	6.45	0.00	2.25

Shaft Extension, Key Set						Conduit Box		Bearings		Mount
U	V	R	S	ES	N-W	AA	AB	DE	ODE	
0.88	2.00	0.77	0.19	1.41	2.25	0.86	5.70	6205-ZZ	6205-ZZ	F1

BEARING LUBRICATION: The bearings come lubricated with Mobil Polyrex EM Polyurea Grease.





PE143T-1.5-2-ODP

GENERAL PURPOSE ELECTRIC MOTOR
NEMA PREMIUM EFFICIENCY
ROLLED STEEL CONSTRUCTION - OPEN DRIP PROOF
INVERTER DUTY 10:1 CT; 20:1 VT - NEMA MG1 PART 31

PERFORMANCE DATA

HP	RPM	Frame	Voltage	Frequency (Hz)	Full Load S.F.	Insulation Class	NEMA Design	Slip (%)	NEMA Code	Enclosure Type	IP Rating	Max. Ambient
1.5	3510	143T	208-230/460	60	1.15	F	B	2.5	M	ODP	23	40° C

Amps (460V)		Efficiency (%)				Power Factor			Torque (ft-lb)			DE Bearing	ODE Bearing	Connection	Weight (lbs.)
FLA	LRA	100%	75%	50%	Min.	100%	75%	50%	FLT	LRT %	BDT %				
2.0	20.0	84.0	82.0	77.0	81.5	0.800	0.750	0.640	2.2	200	280	6205-ZZ	6205-ZZ	9 Lead 2Y/Y	35

NAME PLATE

										CONNECTION DIAGRAMS											
INVERTER DUTY 20:1 VT; 10:1 CT																					
CAT NO: PE143T-1.5-2-ODP				FRAME 143T				PHASE 3				208-230V 460V 									
HZ 60		S.F. 1.15		HZ 50		S.F. 1.0		ENCL ODP		IP 23											
HP 1.5		RPM 3510		HP 1.5		RPM 2900		DUTY CONT		DES B											
VOLTS 208-230/460				VOLTS 190/380				AMB 40° C		INS F											
FLA 4.4 - 4 / 2				FLA 5.2/2.6				DE BEARING 6205-ZZ													
CODE M		P.F. 0.80		CODE K		P.F. 0.84		ODE BEARING 6205-ZZ													
EFF 84.0		MIN 81.5		EFF 82		MIN 79.5		LUB: Mobil Polyrex EM													
MOTOR WEIGHT 35 LBS			CONNECTION 9 Lead 2Y/Y				SER NO														
General purpose use on industrial machinery installed in environments with minimal dirt and moisture. Hernando, Mississippi										CC 082A											

APPLICATIONS:

General purpose use on pumps, fans, blowers, compressors, conveyors, material handling and other industrial machinery installed in environments with minimal dirt and moisture.