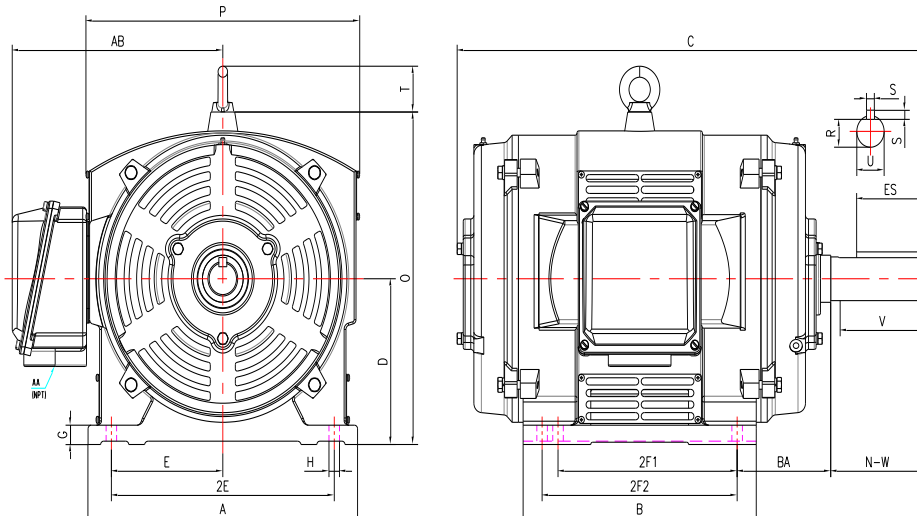


**PE445T-200-4-BB-ODP**

GENERAL PURPOSE ELECTRIC MOTOR  
 NEMA PREMIUM EFFICIENCY  
 CAST IRON CONSTRUCTION - OPEN DRIP PROOF  
 INVERTER DUTY 10:1 CT; 20:1 VT - NEMA MG1 PART 31



**DIMENSIONS**

HP	RPM	Frame	MOUNTING														
			A	B	C	D	G	H	J	E	2E	2F1	2F2	O	P	T	BA
200	1800	445T	22.30	20.80	39.50	11.00	1.15	0.81	NA	9.00	18.00	14.50	16.50	22.60	23.30	3.00	7.50

Shaft Extension, Key Set						Conduit Box		Bearings		Mount
U	V	R	S	ES	N-W	AA	AB	DE	ODE	
3.38	8.25	2.88	0.88	6.91	8.50	3.00	18.90	6319	6318	F1

**BEARING LUBRICATION:** The bearings come lubricated with Mobil Polyrex EM Polyurea Grease. It is recommended that you add some additional lubrication when the motor is installed.

Three options (brands) for suitable lubrication include, but are not limited to, the following:

- 1.) Mobil Polyrex EM
- 2.) Citco Polyurea MP
- 3.) Conoco Phillips Polytac EP





**PE445T-200-4-BB-ODP**

**GENERAL PURPOSE ELECTRIC MOTOR  
 NEMA PREMIUM EFFICIENCY  
 CAST IRON CONSTRUCTION - OPEN DRIP PROOF  
 INVERTER DUTY 10:1 CT; 20:1 VT - NEMA MG1 PART 31**

**PERFORMANCE DATA**

HP	RPM	Frame	Voltage	Frequency (Hz)	Full Load S.F.	Insulation Class	NEMA Design	Slip (%)	NEMA Code	Enclosure Type	IP Rating	Max. Ambient
200	1790	445T	460	60	1.15	F	B	0.56	G	ODP	23	40° C

Amps (460V)		Efficiency (%)				Power Factor			Torque (ft-lb)			DE Bearing	ODE Bearing	Connection	Weight (lbs.)
FLA	LRA	100%	75%	50%	Min.	100%	75%	50%	FLT	LRT %	BDT %				
220	1450	95.8	96.0	95.5	95.0	0.88	0.88	0.84	590.3	150	240	6319	6318	6 Lead Δ	1790

**NAME PLATE**

										<b>CONNECTION DIAGRAMS (460V)</b>							
<b>INVERTER DUTY 20:1 VT; 10:1 CT</b>										<b>Across The Line</b> 							
CAT NO:		PE445T-200-4-BB-ODP			FRAME		445T		PHASE		3		<b>PWS Start</b> 				
HZ	60	S.F.	1.15	HZ	50	S.F.	1.0	ENCL	ODP	IP	23		<b>PWS Run</b> 				
HP	200	RPM	1790	HP	200	RPM	1488	DUTY	CONT	DES	B						
VOLTS		460			VOLTS		380		AMB	40° C		INS	F				
FLA		220.0			FLA		270		DE BEARING		6319						
CODE	G	P.F.	0.88	CODE	D	P.F.	0.88	ODE BEARING		6318							
EFF	95.8	MIN	95.0	EFF	95	MIN	94.1	LUB:		Mobil Polyrex EM							
MOTOR WEIGHT	1790	LBS	CONNECTION		6 Lead Δ			SER NO									
General purpose use on industrial machinery installed in environments with minimal dirt and moisture. Hernando, Mississippi																CC 082A	

**APPLICATIONS:**

General purpose use on pumps, fans, blowers, compressors, conveyors, material handling and other industrial machinery installed in environments with minimal dirt and moisture.