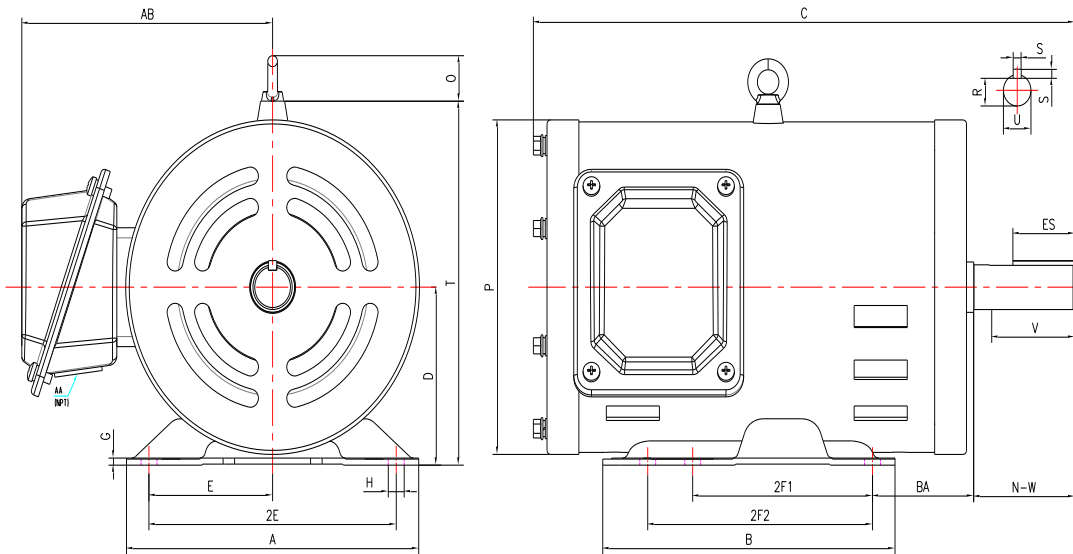


PE213T-7.5-4-ODP

GENERAL PURPOSE ELECTRIC MOTOR
NEMA PREMIUM EFFICIENCY
ROLLED STEEL CONSTRUCTION - OPEN DRIP PROOF
INVERTER DUTY 10:1 CT; 20:1 VT - NEMA MG1 PART 31



DIMENSIONS

HP	RPM	Frame	MOUNTING														
			A	B	C	D	G	H	J	E	2E	2F1	2F2	O	P	T	BA
7.5	1800	213T	9.53	8.03	16.54	5.25	0.16	0.43	NA	4.25	8.50	5.50	7.00	11.20	10.10	1.70	3.50

Shaft Extension, Key Set						Conduit Box		Bearings		Mount
U	V	R	S	ES	N-W	AA	AB	DE	ODE	
1.38	3.12	1.20	0.31	2.41	3.38	0.86	7.80	6208-ZZ	6208-ZZ	F1

BEARING LUBRICATION: The bearings come lubricated with Mobil Polyrex EM Polyurea Grease.





PE213T-7.5-4-ODP

GENERAL PURPOSE ELECTRIC MOTOR
 NEMA PREMIUM EFFICIENCY
 ROLLED STEEL CONSTRUCTION - OPEN DRIP PROOF
 INVERTER DUTY 10:1 CT; 20:1 VT - NEMA MG1 PART 31

PERFORMANCE DATA

HP	RPM	Frame	Voltage	Frequency (Hz)	Full Load S.F.	Insulation Class	NEMA Design	Slip (%)	NEMA Code	Enclosure Type	IP Rating	Max. Ambient
7.5	1770	213T	208-230/460	60	1.15	F	B	1.67	H	ODP	23	40° C

Amps (460V)		Efficiency (%)				Power Factor			Torque (ft-lb)			DE Bearing	ODE Bearing	Connection	Weight (lbs.)
FLA	LRA	100%	75%	50%	Min.	100%	75%	50%	FLT	LRT %	BDT %				
9.6	63.0	91.0	91.0	90.0	89.5	0.800	0.740	0.630	22.5	200	280	6208-ZZ	6208-ZZ	12 Lead 2Δ/Δ	138

NAME PLATE

NEMA Premium INVERTER DUTY 20:1 VT; 10:1 CT										CONNECTION DIAGRAMS 208-230V 		
CAT NO:		PE213T-7.5-4-ODP			FRAME		213T		PHASE		3	
HZ		60		S.F.		1.15		HZ		50		
S.F.		1.15		HZ		50		S.F.		1.0		
ENCL		ODP		IP		23		HP		7.5		
RPM		1770		HP		7.5		RPM		1465		
DUTY		CONT		DES		B		VOLTS		208-230/460		
VOLTS		208-230/460		VOLTS		190/380		AMB		40° C		
INS		F		FLA		21.1 - 19.2 / 9.6		FLA		23/12		
DE BEARING		6208-ZZ		CODE		H		P.F.		0.80		
CODE		H		P.F.		0.80		CODE		F		
P.F.		0.80		CODE		F		P.F.		0.83		
ODE BEARING		6208-ZZ		EFF		91.0		MIN		89.5		
EFF		91.0		MIN		89.5		EFF		89.7		
MIN		89.5		EFF		89.7		MIN		88.2		
LUB:		Mobil Polyrex EM		MOTOR WEIGHT		138		LBS		CONNECTION		
CONNECTION		12 Lead 2Δ/Δ		SER NO								
General purpose use on industrial machinery installed in environments with minimal dirt and moisture. Hernando, Mississippi										460V 		
ISO9001 CERTIFIED								CC 082A				

APPLICATIONS:

General purpose use on pumps, fans, blowers, compressors, conveyors, material handling and other industrial machinery installed in environments with minimal dirt and moisture.