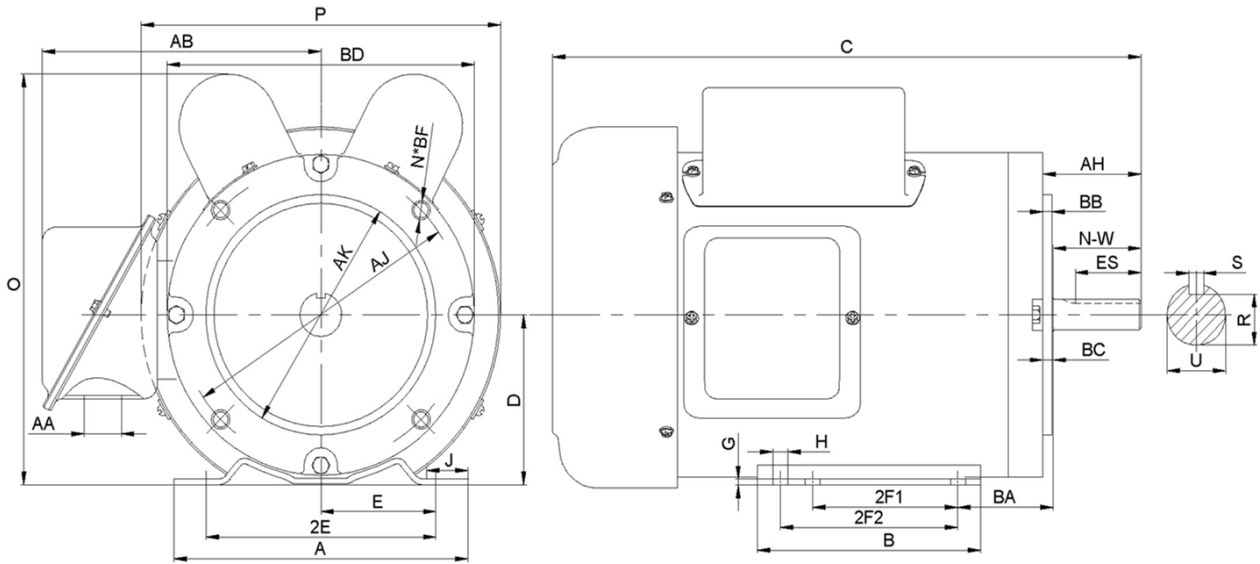


F56CH1.5S4C

GENERAL PURPOSE ELECTRIC MOTOR
SINGLE PHASE - CAPACITOR START / CAPACITOR RUN
ROLLED STEEL CONSTRUCTION
TOTALLY ENCLOSED FAN COOLED



DIMENSIONS

HP	RPM	Frame	MOUNTING														
			A	B	C	D	G	H	J	E	2E	2F1	2F2	O	P	T	BA
1.5	1800	56CH	6.5	6.5	14.57	3.5	0.12	0.34	1.06	2.44	4.88	3	5	8.46	7.01	NA	2.75

FLANGE							Shaft Extension, Key Set						
AH	AJ	AK	BB	BC	BD	BF	U	V	R	S	ES	N-W	
2.06	5.875	4.5	0.16	0.19	6.5	4*3/8-16	0.625	1.5	0.517	0.188	1.41	1.88	

Conduit Box		Bearings		Mount
AA	AB	DE	ODE	
0.81	6.18	6203-2RZC3	6203-2RZC3	F1

BEARING LUBRICATION: The bearings come lubricated with Mobil Polyrex EM Polyurea Grease.

F56CH1.5S4C


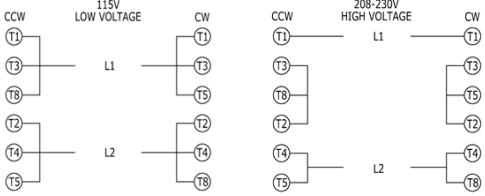
GENERAL PURPOSE ELECTRIC MOTOR
SINGLE PHASE - CAPACITOR START / CAPACITOR RUN
ROLLED STEEL CONSTRUCTION
TOTALLY ENCLOSED FAN COOLED

PERFORMANCE DATA

HP	RPM	Frame	Voltage	Frequency (Hz)	Full Load S.F.	Insulation Class	NEMA Design	Slip (%)	NEMA Code	Enclosure Type	IP Rating	Max. Ambient
1.5	1750	56CH	115/208-230V	60	1.15	F	L	2.8	J	TEFC	IP44	40°C

Amps (230V)		Efficiency (%)			Power Factor			Torque (ft-lb)			DE Bearing	ODE Bearing	Connection	Weight (lbs.)
FLA	LRA	100%	75%	50%	100%	75%	50%	FLT	LRT %	BDT %				
6.66	50.6	78.2	71.5	63.2	0.93	0.91	0.88	6.08	249	243	6203-2RZC3	6203-2RZC3	6 Lead	43

NAME PLATE

 North American Electric, Inc.		GENERAL PURPOSE	
		HIGH STARTING TORQUE	
SINGLE PHASE ELECTRIC MOTOR		TOTALLY ENCLOSED FAN COOLED	
MODEL	F56CH1.5S4C	HP	1.5
FRAME	56CH	ENCL	TEFC
RPM	1750	CODE	J
DESIGN	L	CLASS	F
DE BRG	6203-2RZC3	ODE BRG	6203-2RZC3
VOLT	115/208-230V	LBS	43
AMPS	13.63/7.09-6.66	DUTY	CONT
S.F. AMPS	15.4/8.3-7.5	MAX AMB	40°C
SERIAL NUMBER			
			
Hernando, MS www.naemotors.com		