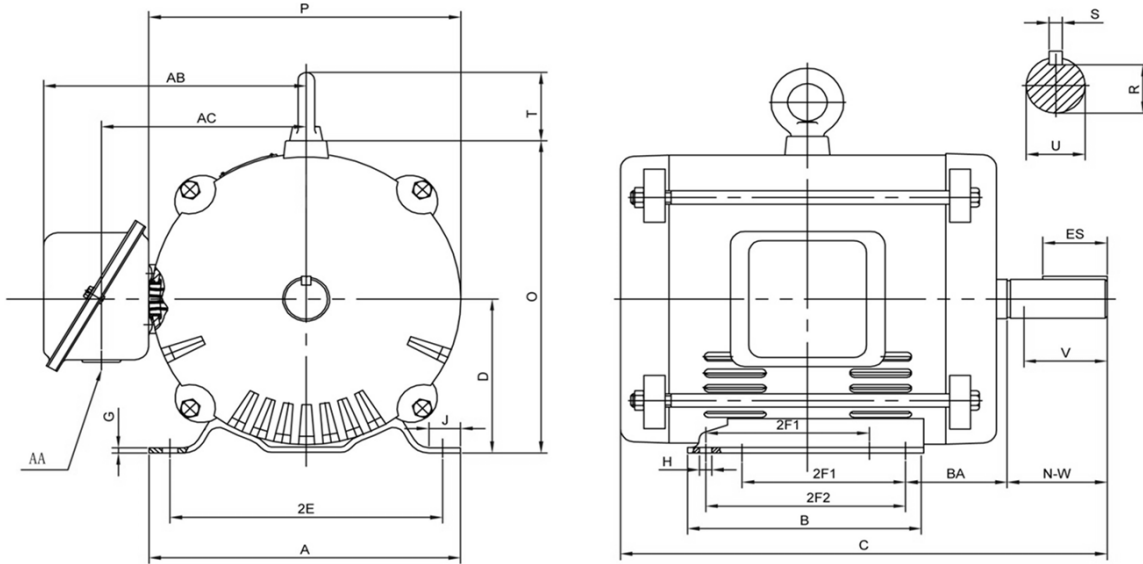


**PR256T20M4A-ODP**

GENERAL PURPOSE ELECTRIC MOTOR  
 NEMA PREMIUM EFFICIENCY  
 OPEN DRIP PROOF ENCLOSURE  
 ROLLED STEEL CONSTRUCTION  
 INVERTER RATED (10:1 VT; 5:1 CT)



**DIMENSIONS**

HP	RPM	Frame	MOUNTING														
			A	B	C	D	G	H	J	E	2E	2F1	2F2	O	P	T	BA
20	1800	256T	11.30	11.30	20.70	6.25	0.20	0.47	1.38	5.00	10.00	8.26	10.00	12.00	11.50	NA	4.25

Shaft Extension, Key Set						Conduit Box		Bearings		Mount
U	V	R	S	ES	N-W	AA	AB	DE	ODE	
1.63	3.70	1.42	0.38	2.91	4.00	1.38	9.60	6309	6208	

**BEARING LUBRICATION:** The bearings come lubricated with Mobil Polyrex EM Polyurea Grease. It is recommended that you add some additional lubrication when the motor is installed.

Three options (brands) for suitable lubrication include, but are not limited to, the following:

- 1.) Mobil Polyrex EM
- 2.) Citco Polyurea MP
- 3.) Conoco Phillips Polytac EP





**PR256T20M4A-ODP**

**GENERAL PURPOSE ELECTRIC MOTOR**  
**NEMA PREMIUM EFFICIENCY**  
**OPEN DRIP PROOF ENCLOSURE**  
**ROLLED STEEL CONSTRUCTION**  
**INVERTER RATED (10:1 VT; 5:1 CT)**

**PERFORMANCE DATA**

HP	RPM	Frame	Voltage	Frequency (Hz)	Full Load S.F.	Insulation Class	NEMA Design	Slip (%)	NEMA Code	Enclosure Type	IP Rating	Max. Ambient
20	1771	256T	208-230/460	60	1.15	F	B	0.016	0	ODP	IP23	40°C

Amps (460V)		Efficiency (%)			Power Factor			Torque (ft-lb)			DE Bearing	ODE Bearing	Connection	Weight (lbs.)
FLA	LRA	100%	75%	50%	100%	75%	50%	FLT	LRT %	BDT %	6309-2RZC3	6208-2RZC3	9 Lead Y	252
23.8	0	92.7	93.13	92.73	0.85	0.82	0.74	80.72	0	0				

<b>NAME PLATE</b>							
<p><b>North American Electric, Inc.</b></p> <p>THREE PHASE ELECTRIC MOTOR</p>			<p>GENERAL PURPOSE</p> <p><b>NEMA Premium</b></p> <p>OPEN DRIP PROOF</p>				
MODEL	HP	20	RPM	1771	FRAME	256T	
PR256T20M4A-ODP	ENCL	ODP	HZ	60	PHASE	3	
VOLT	208-230/460	AMPS	57.0-52.0/26.0	S.F.	1.15	DESIGN	B
S.F. AMPS	65.6-59.8/29.9	CLASS	B	CODE	0	LBS	252
DE BEARING	6309-2RZC3						
ODE BEARING	6208-2RZC3						
RATING	CONT	MAX AMB.					40°C
SER							
Hernando, MS <a href="http://www.naemotors.com">www.naemotors.com</a>							

**APPLICATIONS:**

General purpose use on pumps, fans, blowers, compressors, conveyors, material handling and other industrial machinery where contaminants are minimal.