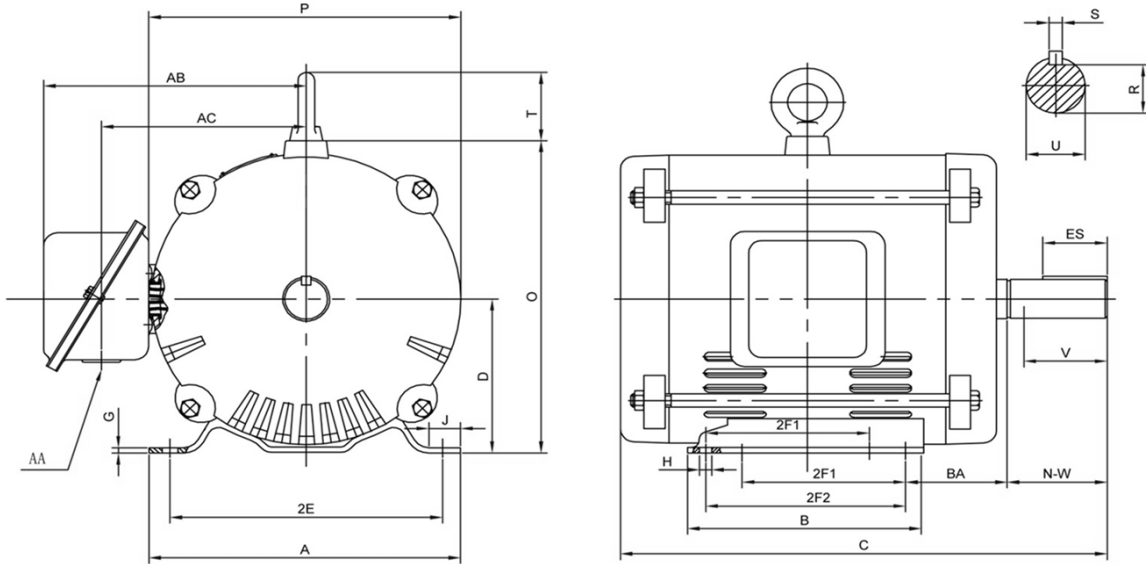


PR254T15M4A-ODP

GENERAL PURPOSE ELECTRIC MOTOR
NEMA PREMIUM EFFICIENCY
OPEN DRIP PROOF ENCLOSURE
ROLLED STEEL CONSTRUCTION
INVERTER RATED (10:1 VT; 5:1 CT)



DIMENSIONS

HP	RPM	Frame	MOUNTING														
			A	B	C	D	G	H	J	E	2E	2F1	2F2	O	P	T	BA
15	1800	254T	11.30	11.30	20.70	6.25	0.20	0.47	1.38	5.00	10.00	8.26	10.00	12.00	11.50	NA	4.25

Shaft Extension, Key Set						Conduit Box		Bearings		Mount
U	V	R	S	ES	N-W	AA	AB	DE	ODE	
1.63	3.70	1.42	0.38	2.91	4.00	1.38	9.60	6309	6208	

BEARING LUBRICATION: The bearings come lubricated with Mobil Polyrex EM Polyurea Grease. It is recommended that you add some additional lubrication when the motor is installed.

Three options (brands) for suitable lubrication include, but are not limited to, the following:

- 1.) Mobil Polyrex EM
- 2.) Citco Polyurea MP
- 3.) Conoco Phillips Polytac EP


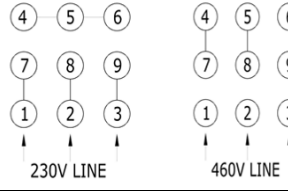
PR254T15M4A-ODP

GENERAL PURPOSE ELECTRIC MOTOR
NEMA PREMIUM EFFICIENCY
OPEN DRIP PROOF ENCLOSURE
ROLLED STEEL CONSTRUCTION
INVERTER RATED (10:1 VT; 5:1 CT)

PERFORMANCE DATA

HP	RPM	Frame	Voltage	Frequency (Hz)	Full Load S.F.	Insulation Class	NEMA Design	Slip (%)	NEMA Code	Enclosure Type	IP Rating	Max. Ambient
15	1772	254T	208-230/460	60	1.15	F	B	0.016	H	ODP	IP23	40°C

Amps (460V)		Efficiency (%)			Power Factor			Torque (ft-lb)			DE Bearing	ODE Bearing	Connection	Weight (lbs.)
FLA	LRA	100%	75%	50%	100%	75%	50%	FLT	LRT %	BDT %				
17.2	133	0.0	0	0	0.87	0.86	0.79	60.32	241	0	6309-2RZC3	6208-2RZC3	9 Lead Y	230

NAME PLATE							
 <p>North American Electric, Inc.</p>			<p>GENERAL PURPOSE</p> <p>NEMA Premium</p> <p>OPEN DRIP PROOF</p>				
THREE PHASE ELECTRIC MOTOR							
MODEL	HP	15	RPM	1772	FRAME	254T	
PR254T15M4A-ODP	ENCL	ODP	HZ	60	PHASE	3	
VOLT	208-230/460	AMPS	42.0-38.4/19.2	S.F.	1.15	DESIGN	B
S.F. AMPS	48.3-44.2/22.1	CLASS	B	CODE	H	LBS	230
DE BEARING	6309-2RZC3						
ODE BEARING	6208-2RZC3						
RATING	CONT	MAX AMB.				40°C	
SER							
Hernando, MS www.naemotors.com		ISO9001 CERTIFIED	CE	NEMA Premium	C SP US		

APPLICATIONS:

General purpose use on pumps, fans, blowers, compressors, conveyors, material handling and other industrial machinery where contaminants are minimal.