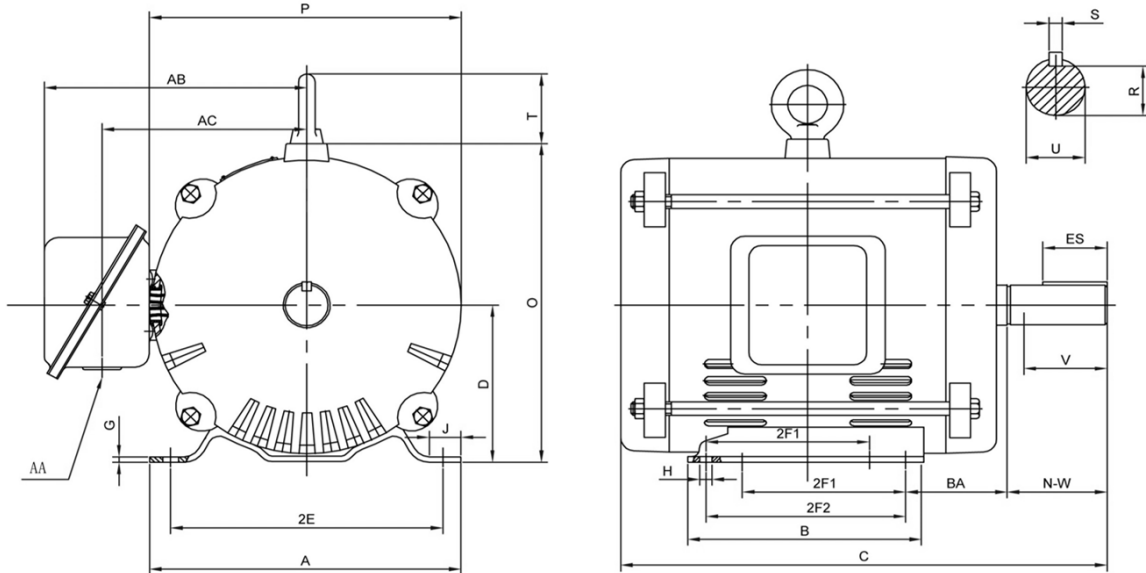


**PR215T15M2A-ODP**

GENERAL PURPOSE ELECTRIC MOTOR  
 NEMA PREMIUM EFFICIENCY  
 OPEN DRIP PROOF ENCLOSURE  
 ROLLED STEEL CONSTRUCTION  
 INVERTER RATED (10:1 VT; 5:1 CT)



**DIMENSIONS**

| HP | RPM  | Frame | MOUNTING |      |       |      |      |      |      |      |      |      |      |       |       |      |      |
|----|------|-------|----------|------|-------|------|------|------|------|------|------|------|------|-------|-------|------|------|
|    |      |       | A        | B    | C     | D    | G    | H    | J    | E    | 2E   | 2F1  | 2F2  | O     | P     | T    | BA   |
| 15 | 3600 | 215T  | 10.40    | 8.50 | 16.90 | 5.25 | 0.16 | 0.45 | 1.61 | 4.25 | 8.50 | 5.50 | 7.00 | 10.60 | 10.30 | 2.00 | 3.50 |

| Shaft Extension, Key Set |      |      |      |      |      | Conduit Box |      | Bearings |      | Mount |
|--------------------------|------|------|------|------|------|-------------|------|----------|------|-------|
| U                        | V    | R    | S    | ES   | N-W  | AA          | AB   | DE       | ODE  |       |
| 1.38                     | 3.00 | 1.20 | 0.31 | 2.38 | 3.38 | 1.38        | 8.50 | 6307     | 6206 |       |

**BEARING LUBRICATION:** The bearings come lubricated with Mobil Polyrex EM Polyurea Grease.



## PR215T15M2A-ODP

**GENERAL PURPOSE ELECTRIC MOTOR**  
**NEMA PREMIUM EFFICIENCY**  
**OPEN DRIP PROOF ENCLOSURE**  
**ROLLED STEEL CONSTRUCTION**  
**INVERTER RATED (10:1 VT; 5:1 CT)**

### PERFORMANCE DATA

| HP | RPM  | Frame | Voltage     | Frequency (Hz) | Full Load S.F. | Insulation Class | NEMA Design | Slip (%) | NEMA Code | Enclosure Type | IP Rating | Max. Ambient |
|----|------|-------|-------------|----------------|----------------|------------------|-------------|----------|-----------|----------------|-----------|--------------|
| 15 | 3510 | 215T  | 208-230/460 | 60             | 1.15           | F                | B           | 0.025    | G         | ODP            | IP23      | 40°C         |

| Amps (460V) |       | Efficiency (%) |      |      | Power Factor |      |      | Torque (ft-lb) |       |       | DE Bearing | ODE Bearing | Connection | Weight (lbs.) |
|-------------|-------|----------------|------|------|--------------|------|------|----------------|-------|-------|------------|-------------|------------|---------------|
| FLA         | LRA   | 100%           | 75%  | 50%  | 100%         | 75%  | 50%  | FLT            | LRT % | BDT % |            |             |            |               |
| 18          | 108.4 | 91.0           | 91.7 | 91.4 | 0.86         | 0.83 | 0.76 | 30.52          | 170   | 243   | 6307-2RZC3 | 6206-2RZC3  | 9 Lead Y   | 163           |

| NAME PLATE   |                |               |                |      |       |  |   |  |  |  |  |  |
|--|----------------|---------------|----------------|------|-------|--|---|--|--|--|--|--|
|  |                |               |                |      |       | <b>GENERAL PURPOSE</b><br><b>NEMA Premium</b><br>OPEN DRIP PROOF |   |  |  |  |  |  |
| <b>THREE PHASE ELECTRIC MOTOR</b>  |                |               |                |      |       |  |   |  |  |  |  |  |
| MODEL  | HP             | 15            | RPM            | 3510 | FRAME | 215T   |   |  |  |  |  |  |
| PR215T15M2A-ODP  | ENCL           | ODP           | HZ             | 60   | PHASE | 3  |   |  |  |  |  |  |
| VOLT   | 208-230/460    | AMPS          | 38.0-34.4/17.2 | S.F. | 1.15  | DESIGN   | B |  |  |  |  |  |
| S.F. AMPS  | 43.7-39.6/19.8 | CLASS         | F              | CODE | G     | LBS  | 0 |  |  |  |  |  |
| DE BEARING   | 6307-2RZC3     |               |                |      |       |  |   |  |  |  |  |  |
| ODE BEARING  | 6206-2RZC3     |               |                |      |       |  |   |  |  |  |  |  |
| RATING   | CONT           | MAX AMB. 40°C |                |      |       |  |   |  |  |  |  |  |
| SER  |                |               |                |      |       |  |   |  |  |  |  |  |
| Hernando, MS<br><a href="http://www.naemotors.com">www.naemotors.com</a> |                |               |                |      |       |  |   |  |  |  |  |  |

### APPLICATIONS:

General purpose use on pumps, fans, blowers, compressors, conveyors, material handling and other industrial machinery where contaminants are minimal.