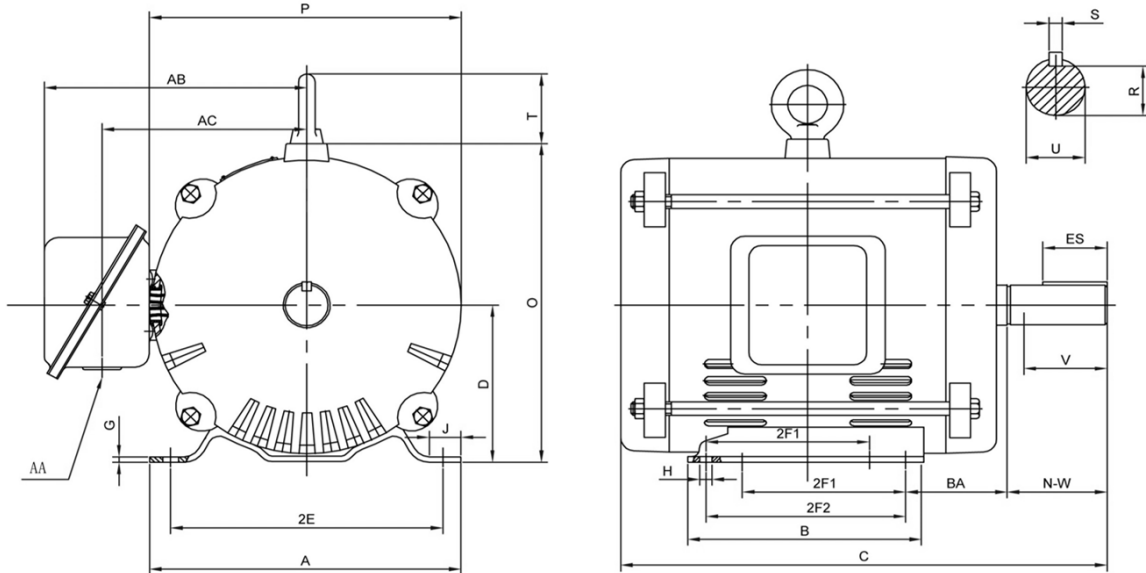


**PR215T10M4A-ODP**

GENERAL PURPOSE ELECTRIC MOTOR  
 NEMA PREMIUM EFFICIENCY  
 OPEN DRIP PROOF ENCLOSURE  
 ROLLED STEEL CONSTRUCTION  
 INVERTER RATED (10:1 VT; 5:1 CT)



**DIMENSIONS**

HP	RPM	Frame	MOUNTING														
			A	B	C	D	G	H	J	E	2E	2F1	2F2	O	P	T	BA
10	1800	215T	10.40	8.50	16.90	5.25	0.16	0.45	1.61	4.25	8.50	5.50	7.00	10.60	10.30	2.00	3.50

Shaft Extension, Key Set						Conduit Box		Bearings		Mount
U	V	R	S	ES	N-W	AA	AB	DE	ODE	
1.38	3.00	1.20	0.31	2.38	3.38	1.38	8.50	6307	6206	

**BEARING LUBRICATION:** The bearings come lubricated with Mobil Polyrex EM Polyurea Grease.



## PR215T10M4A-ODP

**GENERAL PURPOSE ELECTRIC MOTOR**  
**NEMA PREMIUM EFFICIENCY**  
**OPEN DRIP PROOF ENCLOSURE**  
**ROLLED STEEL CONSTRUCTION**  
**INVERTER RATED (10:1 VT; 5:1 CT)**

### PERFORMANCE DATA

HP	RPM	Frame	Voltage	Frequency (Hz)	Full Load S.F.	Insulation Class	NEMA Design	Slip (%)	NEMA Code	Enclosure Type	IP Rating	Max. Ambient
10	1750	215T	208-230/460	60	1.15	F	B	0.028	G	ODP	IP23	40°C

Amps (460V)		Efficiency (%)			Power Factor			Torque (ft-lb)			DE Bearing	ODE Bearing	Connection	Weight (lbs.)
FLA	LRA	100%	75%	50%	100%	75%	50%	FLT	LRT %	BDT %				
12.5	78	90.1	90.8	90.5	0.81	0.77	0.67	40.47	197	243	6307-2RZC3	6206-2RZC3	9 Lead Y	128

NAME PLATE											
						<b>GENERAL PURPOSE</b> <b>NEMA Premium</b> OPEN DRIP PROOF					
<b>THREE PHASE ELECTRIC MOTOR</b>											
MODEL	HP	10	RPM	1750	FRAME	215T					
PR215T10M4A-ODP	ENCL	ODP	HZ	60	PHASE	3					
VOLT	208-230/460	AMPS	29.0-26.6/13.3	S.F.	1.15	DESIGN	B				
S.F. AMPS	33.4-30.6/15.3	CLASS	F	CODE	G	LBS	0				
DE BEARING	6307-2RZC3										
ODE BEARING	6206-2RZC3										
RATING	CONT	MAX AMB.									
SER											
Hernando, MS <a href="http://www.naemotors.com">www.naemotors.com</a>											

### APPLICATIONS:

General purpose use on pumps, fans, blowers, compressors, conveyors, material handling and other industrial machinery where contaminants are minimal.