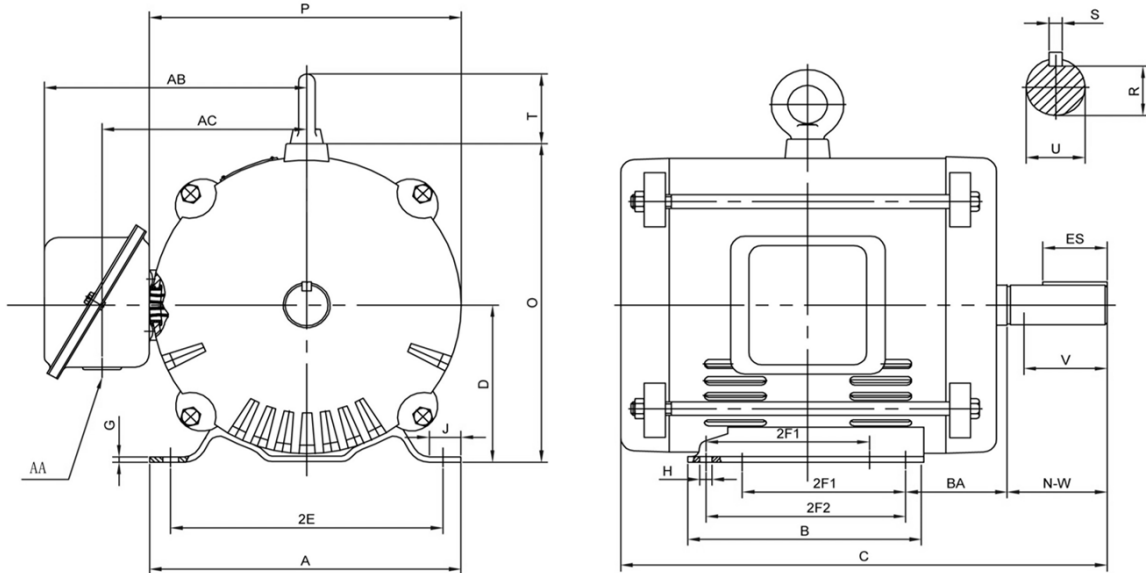


**PR184T7.5M2A-ODP**

GENERAL PURPOSE ELECTRIC MOTOR  
 NEMA PREMIUM EFFICIENCY  
 OPEN DRIP PROOF ENCLOSURE  
 ROLLED STEEL CONSTRUCTION  
 INVERTER RATED (10:1 VT; 5:1 CT)



**DIMENSIONS**

HP	RPM	Frame	MOUNTING														
			A	B	C	D	G	H	J	E	2E	2F1	2F2	O	P	T	BA
7.5	3600	184T	8.50	6.50	13.80	4.50	0.16	0.43	0.95	3.75	7.50	4.50	5.50	9.25	8.70	2.00	2.75

Shaft Extension, Key Set						Conduit Box		Bearings		Mount
U	V	R	S	ES	N-W	AA	AB	DE	ODE	
1.13	2.50	0.99	0.25	1.75	2.75	1.10	7.30	6206	6206	

**BEARING LUBRICATION:** The bearings come lubricated with Mobil Polyrex EM Polyurea Grease.



**PR184T7.5M2A-ODP**

**GENERAL PURPOSE ELECTRIC MOTOR  
 NEMA PREMIUM EFFICIENCY  
 OPEN DRIP PROOF ENCLOSURE  
 ROLLED STEEL CONSTRUCTION  
 INVERTER RATED (10:1 VT; 5:1 CT)**

**PERFORMANCE DATA**

HP	RPM	Frame	Voltage	Frequency (Hz)	Full Load S.F.	Insulation Class	NEMA Design	Slip (%)	NEMA Code	Enclosure Type	IP Rating	Max. Ambient
7.5	3490	184T	208-230/460	60	1.15	F	B	0.031	G	ODP	IP23	40°C

Amps (460V)		Efficiency (%)			Power Factor			Torque (ft-lb)			DE Bearing	ODE Bearing	Connection	Weight (lbs.)
FLA	LRA	100%	75%	50%	100%	75%	50%	FLT	LRT %	BDT %				
9.2	52.9	88.9	89.8	89.5	0.86	0.83	0.74	15.35	165	261	6206-2RZC3	6206-2RZC3	9 Lead Y	78

<b>NAME PLATE</b>											
<b>North American Electric, Inc.</b>						<b>GENERAL PURPOSE</b>  <b>NEMA Premium</b> OPEN DRIP PROOF					
<b>THREE PHASE ELECTRIC MOTOR</b>											
MODEL	HP	7.5	RPM	3490	FRAME	184T					
PR184T7.5M2A-ODP	ENCL	ODP	HZ	60	PHASE	3					
VOLT	208-230/460	AMPS	19.0-17.6/8.8	S.F.	1.15	DESIGN	B				
S.F. AMPS	21.9-20.2/10.1	CLASS	F	CODE	G	LBS	0				
DE BEARING	6206-2RZC3										
ODE BEARING	6206-2RZC3										
RATING	CONT	MAX AMB.	40°C								
SER											
Hernando, MS <a href="http://www.naemotors.com">www.naemotors.com</a>											

**APPLICATIONS:**

General purpose use on pumps, fans, blowers, compressors, conveyors, material handling and other industrial machinery where contaminants are minimal.