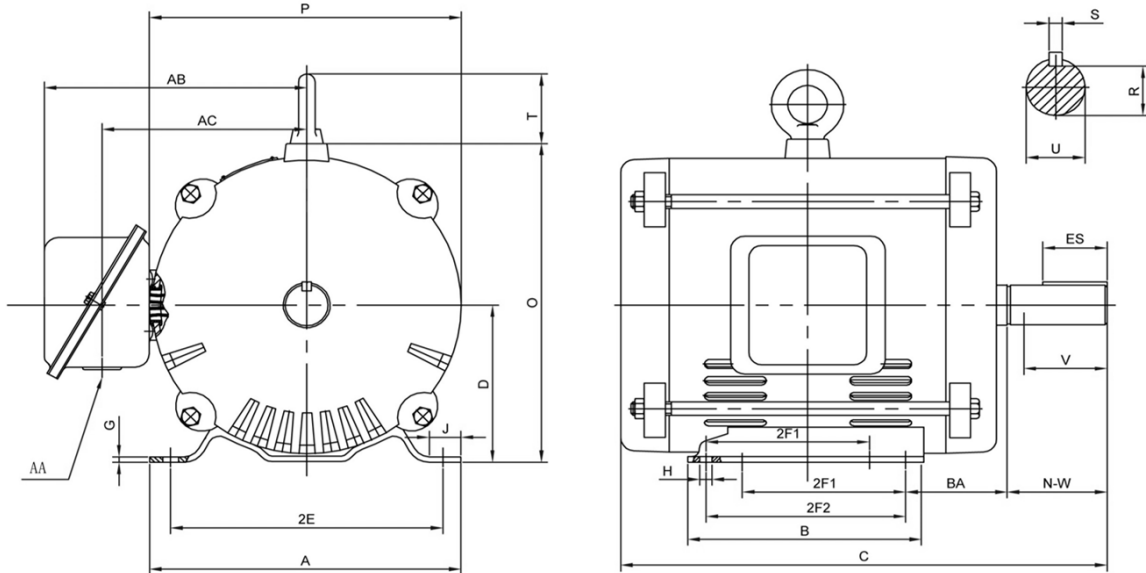


PR215T5M6A-ODP

GENERAL PURPOSE ELECTRIC MOTOR
 NEMA PREMIUM EFFICIENCY
 OPEN DRIP PROOF ENCLOSURE
 ROLLED STEEL CONSTRUCTION
 INVERTER RATED (10:1 VT; 5:1 CT)



DIMENSIONS

HP	RPM	Frame	MOUNTING														
			A	B	C	D	G	H	J	E	2E	2F1	2F2	O	P	T	BA
5	1200	215T	10.40	8.50	16.90	5.25	0.16	0.45	1.61	4.25	8.50	5.50	7.00	10.60	10.30	2.00	3.50

Shaft Extension, Key Set						Conduit Box		Bearings		Mount
U	V	R	S	ES	N-W	AA	AB	DE	ODE	
1.38	3.00	1.20	0.31	2.38	3.38	1.38	8.50	6307	6206	

BEARING LUBRICATION: The bearings come lubricated with Mobil Polyrex EM Polyurea Grease.



PR215T5M6A-ODP

GENERAL PURPOSE ELECTRIC MOTOR
NEMA PREMIUM EFFICIENCY
OPEN DRIP PROOF ENCLOSURE
ROLLED STEEL CONSTRUCTION
INVERTER RATED (10:1 VT; 5:1 CT)

PERFORMANCE DATA

HP	RPM	Frame	Voltage	Frequency (Hz)	Full Load S.F.	Insulation Class	NEMA Design	Slip (%)	NEMA Code	Enclosure Type	IP Rating	Max. Ambient
5	1170	215T	208-230/460	60	1.15	F	B	0.025	H	ODP	IP23	40°C

Amps (460V)		Efficiency (%)			Power Factor			Torque (ft-lb)			DE Bearing	ODE Bearing	Connection	Weight (lbs.)
FLA	LRA	100%	75%	50%	100%	75%	50%	FLT	LRT %	BDT %				
8.2	42.1	88.2	88.2	86.5	0.69	0.63	0.51	30.34	158	231	6307-2RZC3	6206-2RZC3	9 Lead Y	110

NAME PLATE												
North American Electric, Inc.						GENERAL PURPOSE NEMA Premium OPEN DRIP PROOF						
THREE PHASE ELECTRIC MOTOR												
MODEL	HP	5			RPM	1170			FRAME	215T		
PR215T5M6A-ODP	ENCL	ODP			HZ	60			PHASE	3		
VOLT	208-230/460				AMPS	15.0-13.6/6.8			S.F.	1.15		
S.F. AMPS	17.3-15.6/7.8				CLASS	F			CODE	H		
DE BEARING	6307-2RZC3											
ODE BEARING	6206-2RZC3											
RATING	CONT	MAX AMB.			40°C							
SER												
<div style="display: flex; justify-content: space-around; align-items: center;"> <div style="text-align: center;"> <p>230V LINE</p> </div> <div style="text-align: center;"> <p>460V LINE</p> </div> </div>												
Hernando, MS www.naemotors.com												

APPLICATIONS:

General purpose use on pumps, fans, blowers, compressors, conveyors, material handling and other industrial machinery where contaminants are minimal.