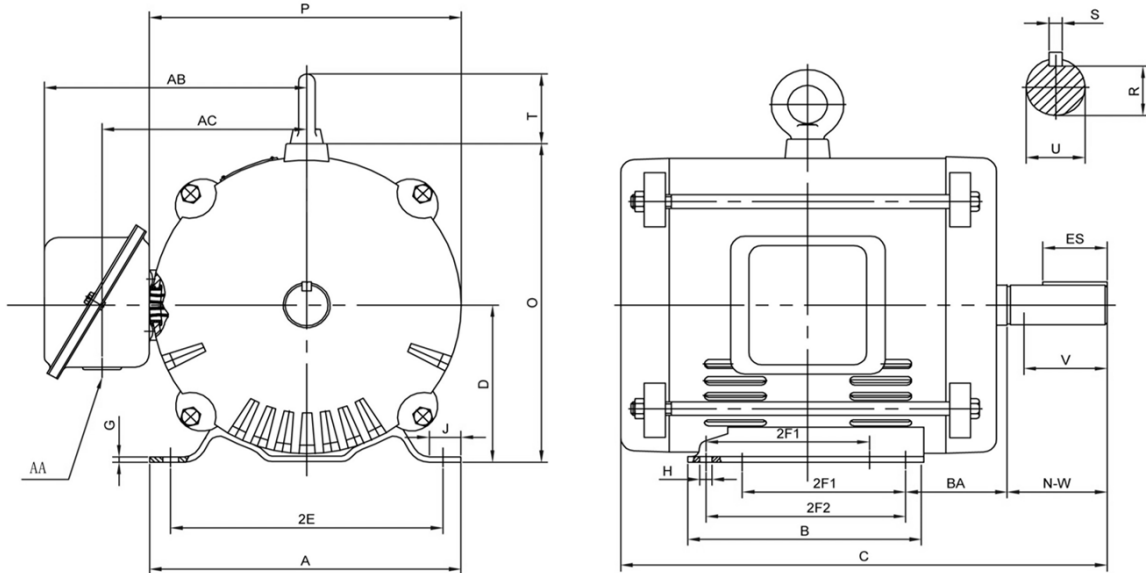


PR184T5M4A-ODP

GENERAL PURPOSE ELECTRIC MOTOR
 NEMA PREMIUM EFFICIENCY
 OPEN DRIP PROOF ENCLOSURE
 ROLLED STEEL CONSTRUCTION
 INVERTER RATED (10:1 VT; 5:1 CT)



DIMENSIONS

HP	RPM	Frame	MOUNTING														
			A	B	C	D	G	H	J	E	2E	2F1	2F2	O	P	T	BA
5	1800	184T	8.50	6.50	13.80	4.50	0.16	0.43	0.95	3.75	7.50	4.50	5.50	9.25	8.70	2.00	2.75

Shaft Extension, Key Set						Conduit Box		Bearings		Mount
U	V	R	S	ES	N-W	AA	AB	DE	ODE	
1.13	2.50	0.99	0.25	1.75	2.75	1.10	7.30	6206	6206	

BEARING LUBRICATION: The bearings come lubricated with Mobil Polyrex EM Polyurea Grease.



PR184T5M4A-ODP

GENERAL PURPOSE ELECTRIC MOTOR
NEMA PREMIUM EFFICIENCY
OPEN DRIP PROOF ENCLOSURE
ROLLED STEEL CONSTRUCTION
INVERTER RATED (10:1 VT; 5:1 CT)

PERFORMANCE DATA

HP	RPM	Frame	Voltage	Frequency (Hz)	Full Load S.F.	Insulation Class	NEMA Design	Slip (%)	NEMA Code	Enclosure Type	IP Rating	Max. Ambient
5	1750	184T	208-230/460	60	1.15	F	B	0.028	H	ODP	IP23	40°C

Amps (460V)		Efficiency (%)			Power Factor			Torque (ft-lb)			DE Bearing	ODE Bearing	Connection	Weight (lbs.)
FLA	LRA	100%	75%	50%	100%	75%	50%	FLT	LRT %	BDT %				
6.5	42.7	89.1	89.9	89.8	0.81	0.76	0.66	14.92	237	294	6206-2RZC3	6206-2RZC3	9 Lead Y	85

NAME PLATE													
North American Electric, Inc.						GENERAL PURPOSE NEMA Premium OPEN DRIP PROOF							
THREE PHASE ELECTRIC MOTOR													
MODEL	HP	5	RPM	1750	FRAME	184T							
PR184T5M4A-ODP	ENCL	ODP	HZ	60	PHASE	3							
VOLT	208-230/460	AMPS	14.0-13.2/6.6	S.F.	1.15	DESIGN	B						
S.F. AMPS	16.1-15.2/7.6	CLASS	F	CODE	H	LBS	0						
DE BEARING	6206-2RZC3												
ODE BEARING	6206-2RZC3												
RATING	CONT	MAX AMB.	40°C										
SER													
Hernando, MS www.naemotors.com													

APPLICATIONS:

General purpose use on pumps, fans, blowers, compressors, conveyors, material handling and other industrial machinery where contaminants are minimal.