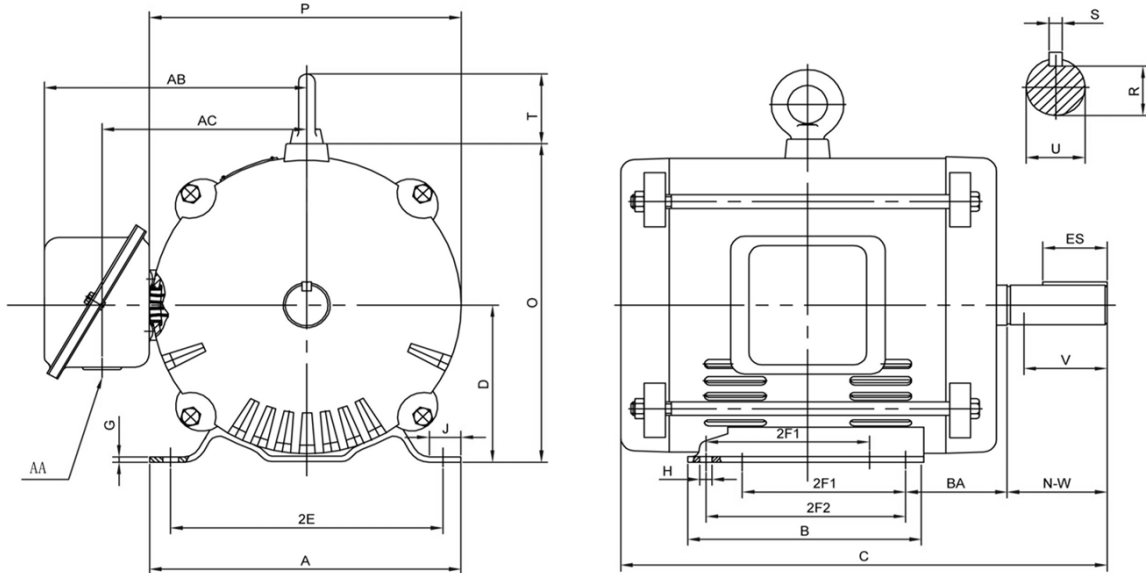


PR213T3M6A-ODP

GENERAL PURPOSE ELECTRIC MOTOR
 NEMA PREMIUM EFFICIENCY
 OPEN DRIP PROOF ENCLOSURE
 ROLLED STEEL CONSTRUCTION
 INVERTER RATED (10:1 VT; 5:1 CT)



DIMENSIONS

HP	RPM	Frame	MOUNTING														
			A	B	C	D	G	H	J	E	2E	2F1	2F2	O	P	T	BA
3	1200	213T	10.40	8.50	16.90	5.25	0.16	0.45	1.61	4.25	8.50	5.50	7.00	10.60	10.30	2.00	3.50

Shaft Extension, Key Set						Conduit Box		Bearings		Mount
U	V	R	S	ES	N-W	AA	AB	DE	ODE	
1.38	3.00	1.20	0.31	2.38	3.38	1.38	8.50	6307	6206	

BEARING LUBRICATION: The bearings come lubricated with Mobil Polyrex EM Polyurea Grease.



PR213T3M6A-ODP

GENERAL PURPOSE ELECTRIC MOTOR
NEMA PREMIUM EFFICIENCY
OPEN DRIP PROOF ENCLOSURE
ROLLED STEEL CONSTRUCTION
INVERTER RATED (10:1 VT; 5:1 CT)

PERFORMANCE DATA

HP	RPM	Frame	Voltage	Frequency (Hz)	Full Load S.F.	Insulation Class	NEMA Design	Slip (%)	NEMA Code	Enclosure Type	IP Rating	Max. Ambient
3	1175	213T	208-230/460	60	1.15	F	B	0.021	J	ODP	IP23	40°C

Amps (460V)		Efficiency (%)			Power Factor			Torque (ft-lb)			DE Bearing	ODE Bearing	Connection	Weight (lbs.)
FLA	LRA	100%	75%	50%	100%	75%	50%	FLT	LRT %	BDT %				
4.9	29.1	88.7	88.2	85.9	0.67	0.59	0.47	18.22	182	259	6307-2RZC3	6206-2RZC3	9 Lead Y	99

NAME PLATE														
North American Electric, Inc.						GENERAL PURPOSE NEMA Premium OPEN DRIP PROOF								
THREE PHASE ELECTRIC MOTOR														
MODEL	HP	3	RPM	1175	FRAME	213T								
PR213T3M6A-ODP	ENCL	ODP	HZ	60	PHASE	3								
VOLT	208-230/460	AMPS	9.0-8.2/4.1	S.F.	1.15	DESIGN	B							
S.F. AMPS	10.4-9.4/4.7	CLASS	F	CODE	J	LBS	0							
DE BEARING	6307-2RZC3													
ODE BEARING	6206-2RZC3													
RATING	CONT	MAX AMB.	40°C											
SER														
Hernando, MS www.naemotors.com														

APPLICATIONS:

General purpose use on pumps, fans, blowers, compressors, conveyors, material handling and other industrial machinery where contaminants are minimal.