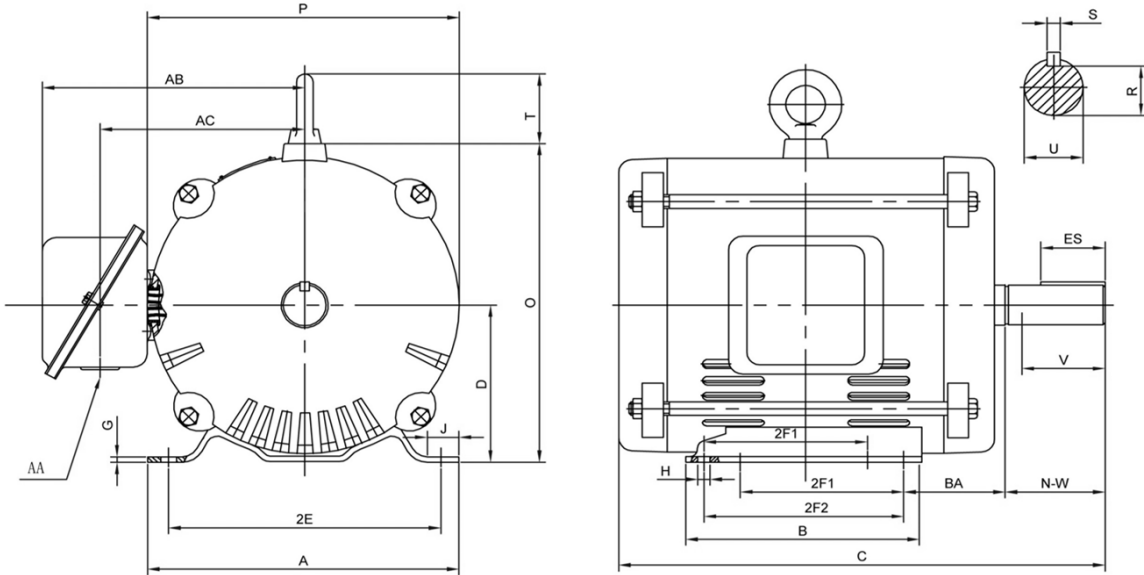


**PR184T2M6A-ODP**

GENERAL PURPOSE ELECTRIC MOTOR  
 NEMA PREMIUM EFFICIENCY  
 OPEN DRIP PROOF ENCLOSURE  
 ROLLED STEEL CONSTRUCTION  
 INVERTER RATED (10:1 VT; 5:1 CT)



**DIMENSIONS**

HP	RPM	Frame	MOUNTING														
			A	B	C	D	G	H	J	E	2E	2F1	2F2	O	P	T	BA
2	1200	184T	8.50	6.50	13.80	4.50	0.16	0.43	0.95	3.75	7.50	4.50	5.50	9.25	8.70	2.00	2.75

Shaft Extension, Key Set						Conduit Box		Bearings		Mount
U	V	R	S	ES	N-W	AA	AB	DE	ODE	
1.13	2.50	0.99	0.25	1.75	2.75	1.10	7.30	6206	6206	

**BEARING LUBRICATION:** The bearings come lubricated with Mobil Polyrex EM Polyurea Grease.



## PR184T2M6A-ODP

**GENERAL PURPOSE ELECTRIC MOTOR**  
**NEMA PREMIUM EFFICIENCY**  
**OPEN DRIP PROOF ENCLOSURE**  
**ROLLED STEEL CONSTRUCTION**  
**INVERTER RATED (10:1 VT; 5:1 CT)**

### PERFORMANCE DATA

HP	RPM	Frame	Voltage	Frequency (Hz)	Full Load S.F.	Insulation Class	NEMA Design	Slip (%)	NEMA Code	Enclosure Type	IP Rating	Max. Ambient
2	1180	184T	208-230/460	60	1.15	F	B	0.017	L	ODP	IP23	40°C

Amps (460V)		Efficiency (%)			Power Factor			Torque (ft-lb)			DE Bearing	ODE Bearing	Connection	Weight (lbs.)
FLA	LRA	100%	75%	50%	100%	75%	50%	FLT	LRT %	BDT %				
3.4	23.8	85.5	84.6	81.3	0.66	0.59	0.47	12.63	233	328	6206-2RZC3	6206-2RZC3	9 Lead Y	73

NAME PLATE														
<b>North American Electric, Inc.</b>						<b>GENERAL PURPOSE</b>  <b>NEMA Premium</b> OPEN DRIP PROOF								
<b>THREE PHASE ELECTRIC MOTOR</b>														
MODEL	HP	2	RPM	1180	FRAME	184T								
PR184T2M6A-ODP	ENCL	ODP	HZ	60	PHASE	3								
VOLT	208-230/460	AMPS	6.5-6.0/3.0	S.F.	1.15	DESIGN	B							
S.F. AMPS	7.5-6.9/3.5	CLASS	F	CODE	L	LBS	0							
DE BEARING	6206-2RZC3													
ODE BEARING	6206-2RZC3													
RATING	CONT	MAX AMB.	40°C											
SER														
Hernando, MS <a href="http://www.naemotors.com">www.naemotors.com</a>														

#### APPLICATIONS:

General purpose use on pumps, fans, blowers, compressors, conveyors, material handling and other industrial machinery where contaminants are minimal.