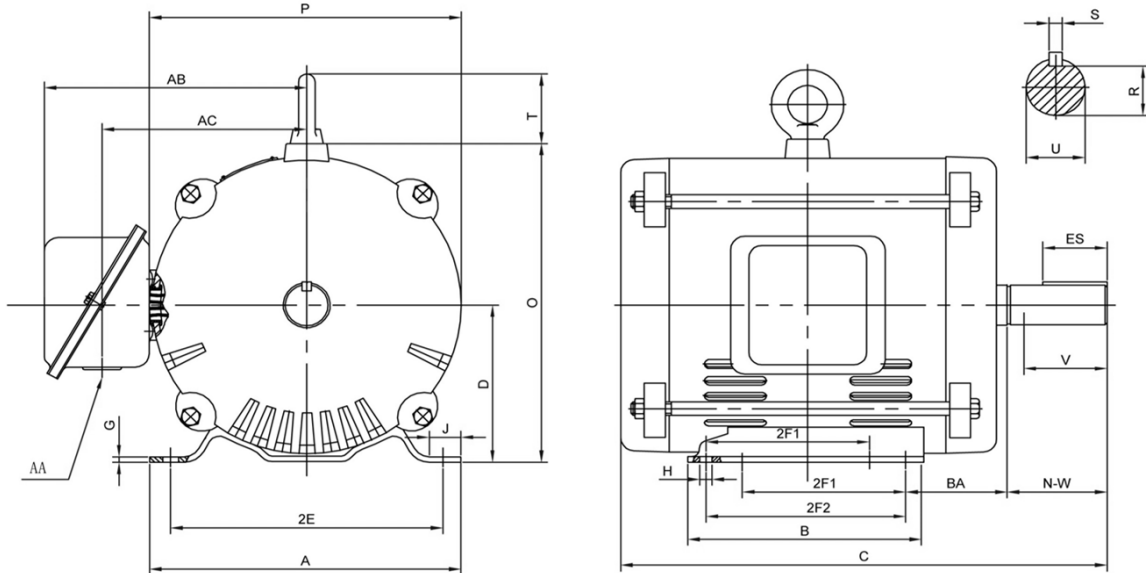


PR182T1.5M6A-ODP

GENERAL PURPOSE ELECTRIC MOTOR
 NEMA PREMIUM EFFICIENCY
 OPEN DRIP PROOF ENCLOSURE
 ROLLED STEEL CONSTRUCTION
 INVERTER RATED (10:1 VT; 5:1 CT)



DIMENSIONS

HP	RPM	Frame	MOUNTING														
			A	B	C	D	G	H	J	E	2E	2F1	2F2	O	P	T	BA
1.5	1200	182T	8.50	6.50	13.80	4.50	0.16	0.43	0.95	3.75	7.50	4.50	5.50	9.25	8.66	2.00	2.75

Shaft Extension, Key Set						Conduit Box		Bearings		Mount
U	V	R	S	ES	N-W	AA	AB	DE	ODE	
1.13	2.50	0.99	0.25	1.75	2.75	1.10	7.30	6206	6206	

BEARING LUBRICATION: The bearings come lubricated with Mobil Polyrex EM Polyurea Grease.



PR182T1.5M6A-ODP

GENERAL PURPOSE ELECTRIC MOTOR
NEMA PREMIUM EFFICIENCY
OPEN DRIP PROOF ENCLOSURE
ROLLED STEEL CONSTRUCTION
INVERTER RATED (10:1 VT; 5:1 CT)

PERFORMANCE DATA

HP	RPM	Frame	Voltage	Frequency (Hz)	Full Load S.F.	Insulation Class	NEMA Design	Slip (%)	NEMA Code	Enclosure Type	IP Rating	Max. Ambient
1.5	1180	182T	208-230/460	60	1.15	F	B	0.017	L	ODP	IP23	40°C

Amps (460V)		Efficiency (%)			Power Factor			Torque (ft-lb)			DE Bearing	ODE Bearing	Connection	Weight (lbs.)
FLA	LRA	100%	75%	50%	100%	75%	50%	FLT	LRT %	BDT %				
2.6	18	85.2	84.2	80.9	0.64	0.57	0.45	9.34	223	329	6206-2RZC3	6206-2RZC3	9 Lead Y	65

NAME PLATE														
North American Electric, Inc.						GENERAL PURPOSE NEMA Premium OPEN DRIP PROOF								
THREE PHASE ELECTRIC MOTOR														
MODEL	HP	1.5	RPM	1180	FRAME	182T								
PR182T1.5M6A-ODP	ENCL	ODP	HZ	60	PHASE	3								
VOLT	208-230/460	AMPS	5.2-4.8/2.4	S.F.	1.15	DESIGN	B							
S.F. AMPS	5.9-5.5/2.8	CLASS	F	CODE	L	LBS	0							
DE BEARING	6206-2RZC3													
ODE BEARING	6206-2RZC3													
RATING	CONT	MAX AMB.	40°C											
SER														
Hernando, MS www.naemotors.com														

APPLICATIONS:

General purpose use on pumps, fans, blowers, compressors, conveyors, material handling and other industrial machinery where contaminants are minimal.