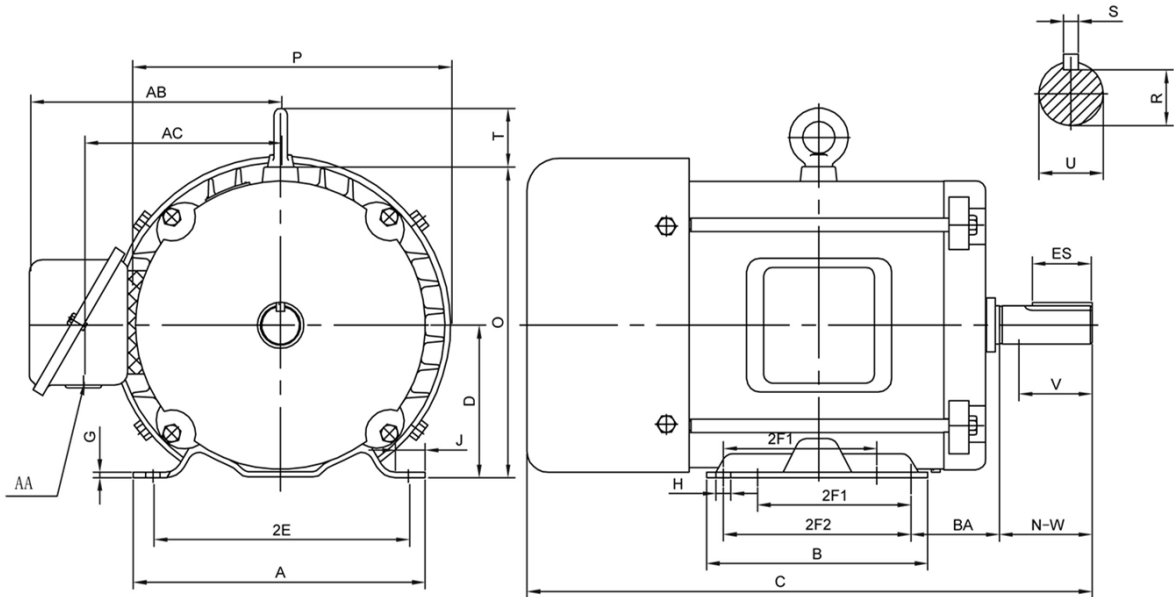


PR182T3M4A

GENERAL PURPOSE ELECTRIC MOTOR
 NEMA PREMIUM EFFICIENCY
 TOTALLY ENCLOSED FAN COOLED
 ROLLED STEEL CONSTRUCTION
 INVERTER RATED (10:1 VT; 5:1 CT)



DIMENSIONS

HP	RPM	Frame	MOUNTING														
			A	B	C	D	G	H	J	E	2E	2F1	2F2	O	P	T	BA
3	1800	182T	8.50	6.50	15.80	4.50	0.16	0.43	0.95	3.75	7.50	4.50	5.50	9.25	10.10	2.00	2.75

Shaft Extension, Key Set						Conduit Box		Bearings		Mount
U	V	R	S	ES	N-W	AA	AB	DE	ODE	
1.13	2.50	0.99	0.25	1.75	2.75	1.10	7.30	6206	6206	

BEARING LUBRICATION: The bearings come lubricated with Mobil Polyrex EM Polyurea Grease.



PR182T3M4A

GENERAL PURPOSE ELECTRIC MOTOR
NEMA PREMIUM EFFICIENCY
TOTALLY ENCLOSED FAN COOLED
ROLLED STEEL CONSTRUCTION
INVERTER RATED (10:1 VT; 5:1 CT)

PERFORMANCE DATA

HP	RPM	Frame	Voltage	Frequency (Hz)	Full Load S.F.	Insulation Class	NEMA Design	Slip (%)	NEMA Code	Enclosure Type	IP Rating	Max. Ambient
3	1760	182T	208-230/460	60	1.15	F	B	0.022	K	TEFC	IP44	40°C

Amps (460V)		Efficiency (%)			Power Factor			Torque (ft-lb)			DE Bearing	ODE Bearing	Connection	Weight (lbs.)
FLA	LRA	100%	75%	50%	100%	75%	50%	FLT	LRT %	BDT %				
3.88	30.4	90.0	90.1	88.7	0.82	0.76	0.65	12.07	244	365	6206-2RZC3	6206-2RZC3	9 Lead Y	86

NAME PLATE											
						GENERAL PURPOSE NEMA Premium TOTALLY ENCLOSED FAN COOLED					
THREE PHASE ELECTRIC MOTOR											
MODEL	HP	3	RPM	1760	FRAME	182T					
PR182T3M4A	ENCL	TEFC	HZ	60	PHASE	3					
VOLT	208-230/460	AMPS	8.6-8.0/4.0	S.F.	1.15	DESIGN	B				
S.F. AMPS	9.9-9.2/4.6	CLASS	F	CODE	K	LBS	86				
DE BEARING	6206-2RZC3										
ODE BEARING	6206-2RZC3										
RATING	CONT	MAX AMB.	40°C								
SER											
Hernando, MS www.naemotors.com			ISO9001 CERTIFIED		CE		NEMA Premium		CS US		

APPLICATIONS:

General purpose use on pumps, fans, blowers, compressors, conveyors, material handling and other industrial machinery installed in damp, dusty or dirty environments.