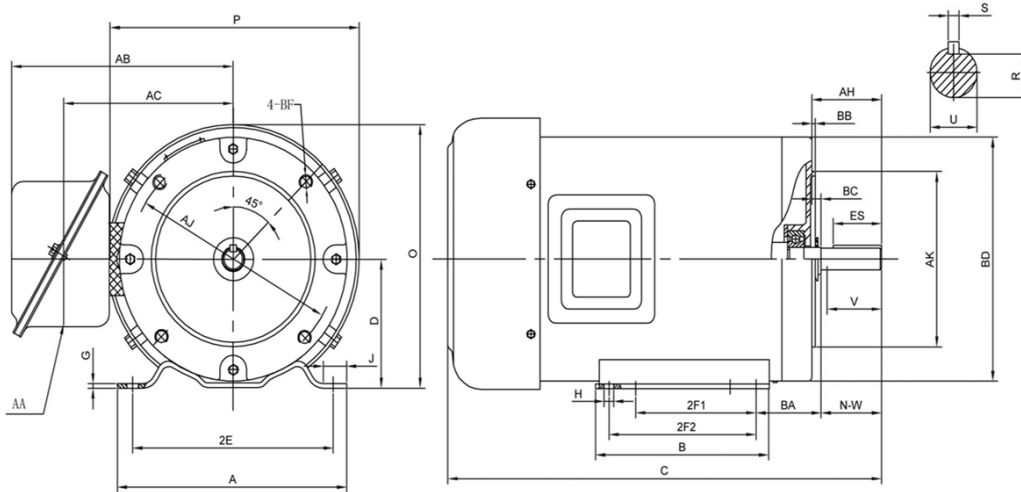


**PR56CH3M2A**

**GENERAL PURPOSE ELECTRIC MOTOR**  
**NEMA PREMIUM EFFICIENCY**  
**TOTALLY ENCLOSED FAN COOLED**  
**ROLLED STEEL CONSTRUCTION**  
**INVERTER RATED (10:1 VT; 5:1 CT)**



**DIMENSIONS**

| HP | RPM  | Frame | MOUNTING |      |       |      |      |      |      |      |      |      |     |      |      |    |      |
|----|------|-------|----------|------|-------|------|------|------|------|------|------|------|-----|------|------|----|------|
|    |      |       | A        | B    | C     | D    | G    | H    | J    | E    | 2E   | 2F1  | 2F2 | O    | P    | T  | BA   |
| 3  | 3600 | 56CH  | 6.50     | 6.50 | 12.60 | 3.50 | 0.12 | 0.35 | 1.06 | 2.44 | 4.88 | 3.00 | 5   | 7.00 | 6.97 | NA | 2.75 |

| FLANGE |       |      |      |       |      |           | Shaft Extension, Key Set |      |       |       |      |      |  |
|--------|-------|------|------|-------|------|-----------|--------------------------|------|-------|-------|------|------|--|
| AH     | AJ    | AK   | BB   | BC    | BD   | BF        | U                        | V    | R     | S     | ES   | N-W  |  |
| 2.07   | 5.875 | 4.50 | 0.16 | -0.19 | 6.50 | 3/8-16UNC | 0.625                    | 1.50 | 0.517 | 0.188 | 1.38 | 1.88 |  |

| Conduit Box |      | Bearings |      | Mount |
|-------------|------|----------|------|-------|
| AA          | AB   | DE       | ODE  |       |
| 0.80        | 6.30 | 6203     | 6203 | F1    |

**BEARING LUBRICATION:** The bearings come lubricated with Mobil Polyrex EM Polyurea Grease.



## PR56CH3M2A

**GENERAL PURPOSE ELECTRIC MOTOR**  
**NEMA PREMIUM EFFICIENCY**  
**TOTALLY ENCLOSED FAN COOLED**  
**ROLLED STEEL CONSTRUCTION**  
**INVERTER RATED (10:1 VT; 5:1 CT)**

### PERFORMANCE DATA

| HP | RPM  | Frame | Voltage     | Frequency (Hz) | Full Load S.F. | Insulation Class | NEMA Design | Slip (%) | NEMA Code | Enclosure Type | IP Rating | Max. Ambient |
|----|------|-------|-------------|----------------|----------------|------------------|-------------|----------|-----------|----------------|-----------|--------------|
| 3  | 3484 | 56C H | 208-230/460 | 60             | 1.15           | F                | B           | 0.032    | K         | TEFC           | IP44      | 40°C         |

| Amps (460V) |      | Efficiency (%) |      |      | Power Factor |      |      | Torque (ft-lb) |       |       | DE Bearing | ODE Bearing | Connection  | Weight (lbs.) |
|-------------|------|----------------|------|------|--------------|------|------|----------------|-------|-------|------------|-------------|-------------|---------------|
| FLA         | LRA  | 100%           | 75%  | 50%  | 100%         | 75%  | 50%  | FLT            | LRT % | BDT % |            |             |             |               |
| 3.61        | 32.5 | 87.5           | 87.4 | 86.6 | 0.89         | 0.87 | 0.79 | 3.82           | 327   | 325   | 6203-2RZC3 | 6203-2RZC3  | 9 Lead 2Y/Y | 40            |

| NAME PLATE                        |             |          |                   |      |       |   |              |  |        |  |  |
|-----------------------------------|-------------|----------|-------------------|------|-------|---|--------------|--|--------|--|--|
|                                   |             |          |                   |      |       | <b>GENERAL PURPOSE</b><br><b>NEMA Premium</b><br><b>TOTALLY ENCLOSED FAN COOLED</b> |              |  |        |  |  |
| THREE PHASE ELECTRIC MOTOR        |             |          |                   |      |       |   |              |  |        |  |  |
| MODEL                             | HP          | 3        | RPM               | 3484 | FRAME | 56C H   |              |  |        |  |  |
| PR56CH3M2A                        | ENCL        | TEFC     | HZ                | 60   | PHASE | 3   |              |  |        |  |  |
| VOLT                              | 208-230/460 | AMPS     | 8.2-7.6/3.8       | S.F. | 1.15  | DESIGN  | B            |  |        |  |  |
| S.F. AMPS                         | 9.4-8.5/4.3 | CLASS    | F                 | CODE | K     | LBS   | 40           |  |        |  |  |
| DE BEARING                        | 6203-2RZC3  |          |                   |      |       |   |              |  |        |  |  |
| ODE BEARING                       | 6203-2RZC3  |          |                   |      |       |   |              |  |        |  |  |
| RATING                            | CONT        | MAX AMB. |                   |      |       |   |              |  |        |  |  |
| SER                               |             |          |                   |      |       |   |              |  |        |  |  |
| Hernando, MS<br>www.naemotors.com |             |          | ISO9001 CERTIFIED |      | CE    |   | NEMA Premium |  | CSA US |  |  |

### APPLICATIONS:

General purpose use on pumps, fans, blowers, compressors, conveyors, material handling and other industrial machinery installed in damp, dusty or dirty environments.