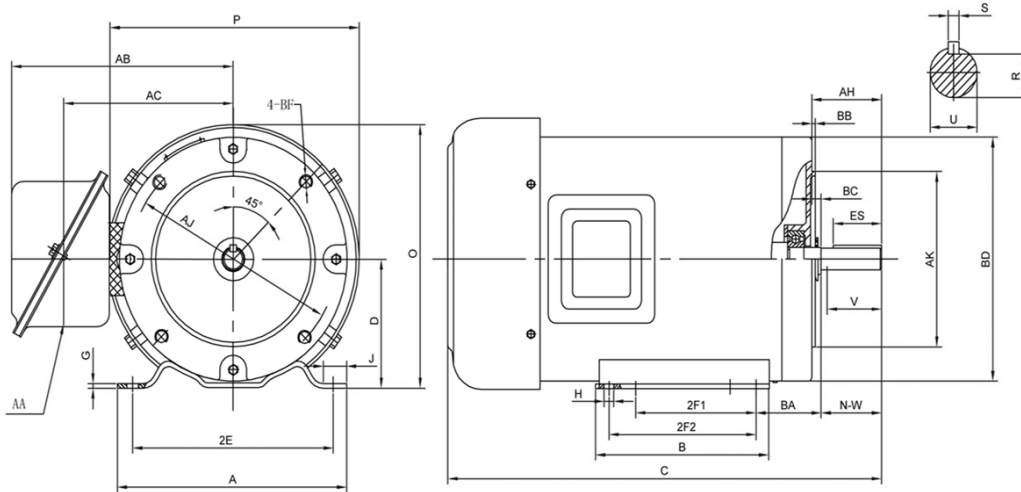


PR56C2M2D

GENERAL PURPOSE ELECTRIC MOTOR
NEMA PREMIUM EFFICIENCY
TOTALLY ENCLOSED FAN COOLED
ROLLED STEEL CONSTRUCTION
INVERTER RATED (10:1 VT; 5:1 CT)



DIMENSIONS

HP	RPM	Frame	MOUNTING															
			A	B	C	D	G	H	J	E	2E	2F1	2F2	O	P	T	BA	
2	3600	56C	6.30	3.94	11.80	3.50	0.12	0.35	1.46	2.44	4.88	3.00	NA	7.00	6.97	NA	2.75	

FLANGE							Shaft Extension, Key Set						
AH	AJ	AK	BB	BC	BD	BF	U	V	R	S	ES	N-W	
2.07	5.875	4.50	0.16	-0.19	6.50	3/8-16UNC	0.625	1.50	0.517	0.188	1.38	1.88	

Conduit Box		Bearings		Mount
AA	AB	DE	ODE	
0.80	6.30	6203	6203	F1

BEARING LUBRICATION: The bearings come lubricated with Mobil Polyrex EM Polyurea Grease.





PR56C2M2D

**GENERAL PURPOSE ELECTRIC MOTOR
 NEMA PREMIUM EFFICIENCY
 TOTALLY ENCLOSED FAN COOLED
 ROLLED STEEL CONSTRUCTION
 INVERTER RATED (10:1 VT; 5:1 CT)**

PERFORMANCE DATA

HP	RPM	Frame	Voltage	Frequency (Hz)	Full Load S.F.	Insulation Class	NEMA Design	Slip (%)	NEMA Code	Enclosure Type	IP Rating	Max. Ambient
2	3511	56C	208-230/460	60	1.15	F	B	0.025	K	TEFC	IP44	40°C

Amps (460V)		Efficiency (%)			Power Factor			Torque (ft-lb)			DE Bearing	ODE Bearing	Connection	Weight (lbs.)
FLA	LRA	100%	75%	50%	100%	75%	50%	FLT	LRT %	BDT %				
2.04	17.8	86.0	84.8	83.1	0.85	0.83	0.73	2.56	290	340	6203-2RZC3	6203-2RZC3	9 Lead 2Y/Y	32

NAME PLATE							
<p style="font-size: small; margin-top: 5px;">North American Electric, Inc.</p>			<p>GENERAL PURPOSE</p> <p>NEMA Premium</p> <p>TOTALLY ENCLOSED FAN COOLED</p>				
THREE PHASE ELECTRIC MOTOR							
MODEL	HP	2	RPM	3511	FRAME	56C	
PR56C2M2D	ENCL	TEFC	HZ	60	PHASE	3	
VOLT	208-230/460	AMPS	2.1	S.F.	1.15	DESIGN	B
S.F. AMPS	2.4	CLASS	F	CODE	K	LBS	32
DE BEARING	6203-2RZC3						
ODE BEARING	6203-2RZC3						
RATING	CONT	MAX AMB.	40°C				
SER							
Hernando, MS www.naemotors.com							

APPLICATIONS:

General purpose use on pumps, fans, blowers, compressors, conveyors, material handling and other industrial machinery installed in damp, dusty or dirty environments.