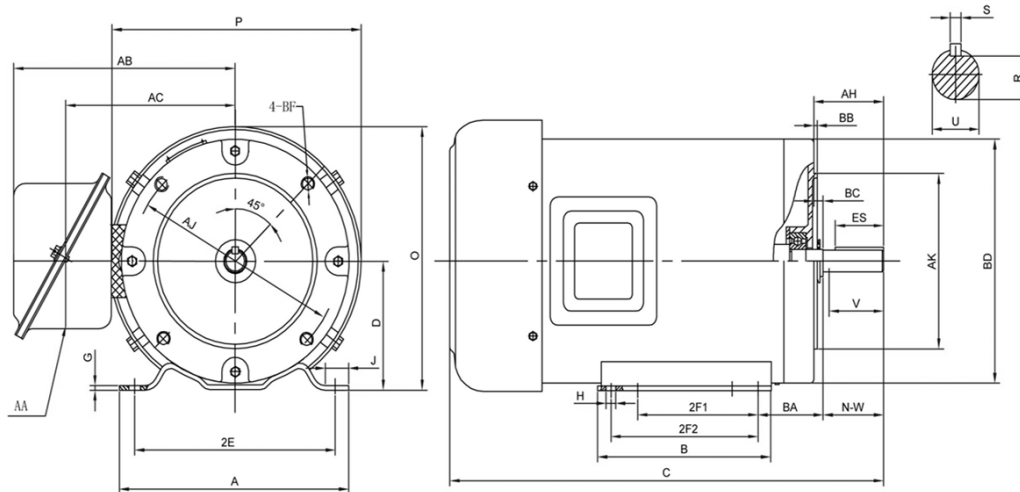


## PR56C1.5M4A

GENERAL PURPOSE ELECTRIC MOTOR  
 NEMA PREMIUM EFFICIENCY  
 TOTALLY ENCLOSED FAN COOLED  
 ROLLED STEEL CONSTRUCTION  
 INVERTER RATED (10:1 VT; 5:1 CT)



### DIMENSIONS

HP	RPM	Frame	MOUNTING															
			A	B	C	D	G	H	J	E	2E	2F1	2F2	O	P	T	BA	
1.5	1800	56C	6.30	3.94	11.80	3.50	0.12	0.35	1.46	2.44	4.88	3.00	NA	7.00	6.97	NA	2.75	

FLANGE							Shaft Extension, Key Set						
AH	AJ	AK	BB	BC	BD	BF	U	V	R	S	ES	N-W	
2.07	5.875	4.50	0.16	-0.19	6.50	3/8-16UNC	0.625	1.50	0.517	0.188	1.38	1.88	

Conduit Box		Bearings		Mount
AA	AB	DE	ODE	
0.80	6.30	6203	6203	F1

**BEARING LUBRICATION:** The bearings come lubricated with Mobil Polyrex EM Polyurea Grease.



## PR56C1.5M4A

**GENERAL PURPOSE ELECTRIC MOTOR**  
**NEMA PREMIUM EFFICIENCY**  
**TOTALLY ENCLOSED FAN COOLED**  
**ROLLED STEEL CONSTRUCTION**  
**INVERTER RATED (10:1 VT; 5:1 CT)**

### PERFORMANCE DATA

HP	RPM	Frame	Voltage	Frequency (Hz)	Full Load S.F.	Insulation Class	NEMA Design	Slip (%)	NEMA Code	Enclosure Type	IP Rating	Max. Ambient
1.5	1755	56C	208-230/460	60	1.15	F	B	0.025	M	TEFC	IP44	40°C

Amps (460V)		Efficiency (%)			Power Factor			Torque (ft-lb)			DE Bearing	ODE Bearing	Connection	Weight (lbs.)
FLA	LRA	100%	75%	50%	100%	75%	50%	FLT	LRT %	BDT %				
2.5	18.9	84.8	84.5	82.1	0.71	0.62	0.48	3.28	349	441	6203-2RZC3	6203-2RZC3	9 Lead 2Y/Y	36

<b>NAME PLATE</b>															
<span style="font-size: 0.8em; vertical-align: middle;">North American Electric, Inc.</span>						<b>GENERAL PURPOSE</b>  <div style="display: flex; justify-content: center; align-items: center;"> <div style="text-align: center; margin-right: 10px;"> <b>NEMA</b>  <b>Premium</b> </div> <div style="text-align: center;"> <b>TOTALLY ENCLOSED FAN COOLED</b> </div> </div>									
MODEL	PR56C1.5M4A	HP	1.5	RPM	1755	FRAME	56C	ENCL	TEFC	HZ	60	PHASE	3		
VOLT	208-230/460	AMPS	4.8-4.4/2.2	S.F.	1.15	DESIGN	B	S.F. AMPS	5.5-5.1/2.5	CLASS	F	CODE	M	LBS	36
DE BEARING	6203-2RZC3														
ODE BEARING	6203-2RZC3														
RATING	CONT	MAX AMB.										40°C			
SER															
Hernando, MS <a href="http://www.naemotors.com">www.naemotors.com</a>															

#### APPLICATIONS:

General purpose use on pumps, fans, blowers, compressors, conveyors, material handling and other industrial machinery installed in damp, dusty or dirty environments.