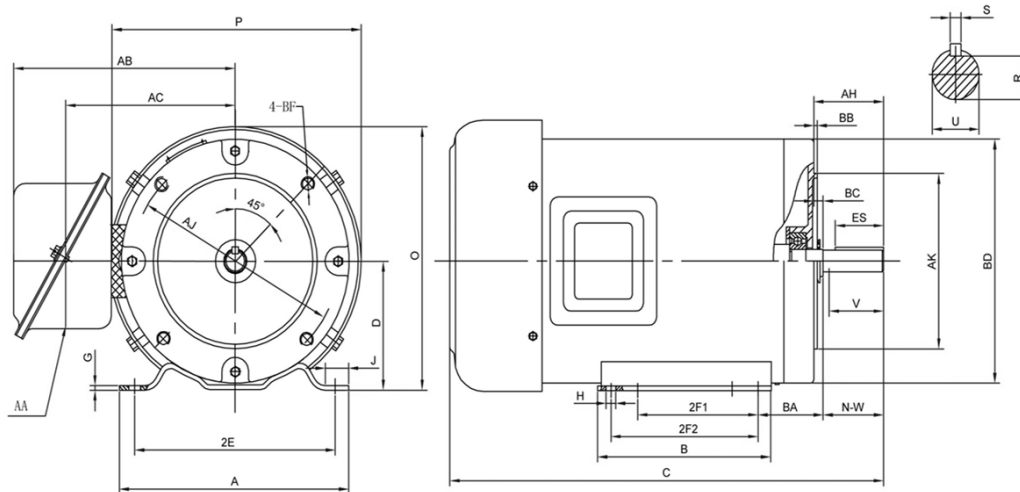


## PR56C1M2D

GENERAL PURPOSE ELECTRIC MOTOR  
 NEMA PREMIUM EFFICIENCY  
 TOTALLY ENCLOSED FAN COOLED  
 ROLLED STEEL CONSTRUCTION  
 INVERTER RATED (10:1 VT; 5:1 CT)



### DIMENSIONS

HP	RPM	Frame	MOUNTING															
			A	B	C	D	G	H	J	E	2E	2F1	2F2	O	P	T	BA	
1	3600	56C	6.30	3.94	11.80	3.50	0.12	0.35	1.46	2.44	4.88	3.00	NA	7.00	6.97	NA	2.75	

FLANGE							Shaft Extension, Key Set						
AH	AJ	AK	BB	BC	BD	BF	U	V	R	S	ES	N-W	
2.07	5.875	4.50	0.16	-0.19	6.50	3/8-16UNC	0.625	1.50	0.517	0.188	1.38	1.88	

Conduit Box		Bearings		Mount
AA	AB	DE	ODE	
0.80	6.30	6203	6203	F1

**BEARING LUBRICATION:** The bearings come lubricated with Mobil Polyrex EM Polyurea Grease.



**PR56C1M2D**

**GENERAL PURPOSE ELECTRIC MOTOR  
 NEMA PREMIUM EFFICIENCY  
 TOTALLY ENCLOSED FAN COOLED  
 ROLLED STEEL CONSTRUCTION  
 INVERTER RATED (10:1 VT; 5:1 CT)**

**PERFORMANCE DATA**

HP	RPM	Frame	Voltage	Frequency (Hz)	Full Load S.F.	Insulation Class	NEMA Design	Slip (%)	NEMA Code	Enclosure Type	IP Rating	Max. Ambient
1	3500	56C	208-230/460	60	1.15	F	B	0.028	L	TEFC	IP44	40°C

Amps (460V)		Efficiency (%)			Power Factor			Torque (ft-lb)			DE Bearing	ODE Bearing	Connection	Weight (lbs.)
FLA	LRA	100%	75%	50%	100%	75%	50%	FLT	LRT %	BDT %				
1.3	9.1	78.1	76.4	71.6	0.76	0.68	0.54	1.11	280	400	6203-2RZC3	6203-2RZC3	9 Lead 2Y/Y	21

<b>NAME PLATE</b>									
<span style="font-size: 0.8em; vertical-align: middle;">North American Electric, Inc.</span>					<b>GENERAL PURPOSE</b>  				
<b>THREE PHASE ELECTRIC MOTOR</b>					<b>TOTALLY ENCLOSED FAN COOLED</b>				
MODEL	HP	1	RPM	3500	FRAME	56C			
PR56C1M2D	ENCL	TEFC	HZ	60	PHASE	3			
VOLT	208-230/460	AMPS	1.45	S.F.	1.15	DESIGN	B		
S.F. AMPS	1.66	CLASS	F	CODE	L	LBS	21		
DE BEARING	6203-2RZC3								
ODE BEARING	6203-2RZC3								
RATING	CONT	MAX AMB.	40°C						
SER									
Hernando, MS <a href="http://www.naemotors.com">www.naemotors.com</a>									

**APPLICATIONS:**

General purpose use on pumps, fans, blowers, compressors, conveyors, material handling and other industrial machinery installed in damp, dusty or dirty environments.