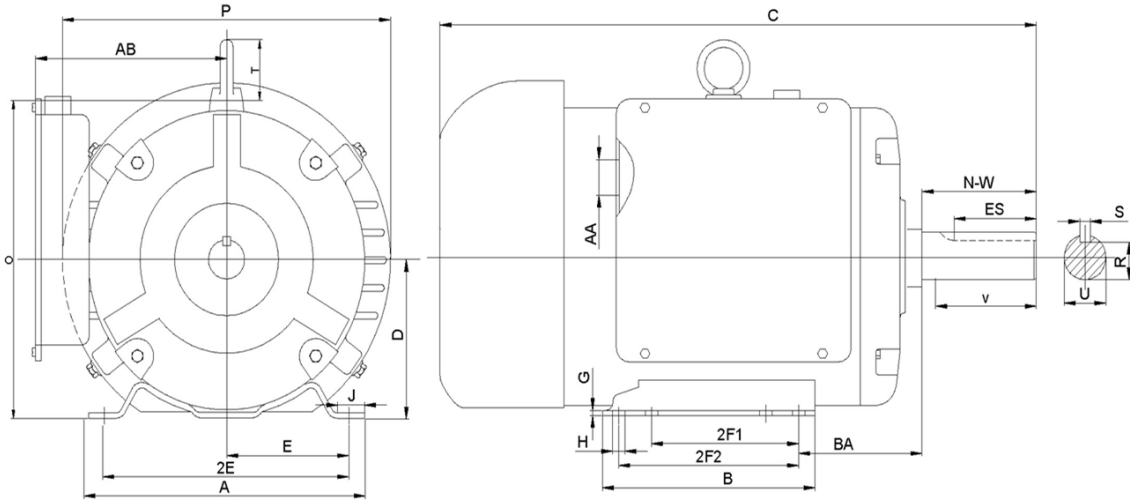


F182T3S4C-MO

FARM DUTY ELECTRIC MOTOR
 HIGH STARTING TORQUE - MANUAL OVERLOAD
 SINGLE PHASE - CAPACITOR START / CAPACITOR RUN
 ROLLED STEEL CONSTRUCTION
 TOTALLY ENCLOSED FAN COOLED



DIMENSIONS

HP	RPM	Frame	MOUNTING														
			A	B	C	D	G	H	J	E	2E	2F1	2F2	O	P	T	BA
3	1800	182T	11	9.4	20.4	5.25	0.7	0.41	2.4	4.25	8.5	4.5	5.5	11.2	11.6	1.9	3.5

Shaft Extension, Key Set						Conduit Box		Bearings		Mount
U	V	R	S	ES	N-W	AA	AB	DE	ODE	
1.125	3.12	1.201	0.312	2.41	3.38	1	9	6206-2RZC3	6205-2RZC3	F1

BEARING LUBRICATION: The bearings come lubricated with Mobil Polyrex EM Polyurea Grease.



F182T3S4C-MO

FARM DUTY ELECTRIC MOTOR
HIGH STARTING TORQUE - MANUAL OVERLOAD
SINGLE PHASE - CAPACITOR START / CAPACITOR RUN
ROLLED STEEL CONSTRUCTION

PERFORMANCE DATA

HP	RPM	Frame	Voltage	Frequency (Hz)	Full Load S.F.	Insulation Class	NEMA Design	Slip (%)	NEMA Code	Enclosure Type	IP Rating	Max. Ambient
3	1735	182T	208-230/460V	60	1.15	F	L	3.6	H	TEFC	IP44	40°C

Amps (460V)		Efficiency (%)			Power Factor			Torque (ft-lb)			DE Bearing	ODE Bearing	Connection	Weight (lbs.)
FLA	LRA	100%	75%	50%	100%	75%	50%	FLT	LRT %	BDT %				
6.35	43.3	81.5	79	74.6	0.94	0.92	0.89	12.27	276	240	6206-2RZC3	6205-2RZC3	5 Lead/P1,P2	88

NAME PLATE							
North American Electric, Inc.			FARM DUTY HIGH STARTING TORQUE MANUAL OVERLOAD PROTECTION TOTALLY ENCLOSED FAN COOLED				
SINGLE PHASE ELECTRIC MOTOR							
MODEL	HP	3	RPM	1735	FRAME	182T	
F182T3S4C-MO	ENCL	TEFC	HZ	60	PHASE	1	
VOLT	208-230/460V	AMPS	14.5-12.55/6.35	S.F.	1.15	DESIGN	L
S.F. AMPS	16.4-14.8/7.4	CLASS	F	CODE	H	LBS	88
DE BEARING	6206-2RZC3						
ODE BEARING	6205-2RZC3						
MAX AMB.	40°C	RATING	CONT				
SER							
General purpose use on equipment and farm duty machinery requiring high starting torques. Hernando, Mississippi							

APPLICATIONS:

General purpose use on pumps, fans, conveyors, poultry equipment, air compressors and other farm duty machinery requiring high starting torques.

