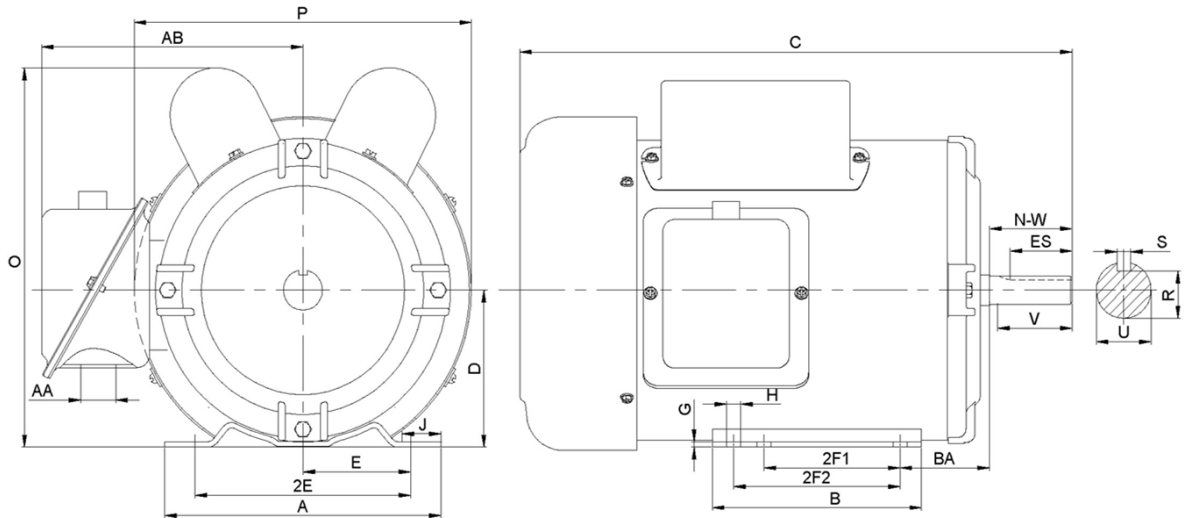


F145T2S4C-MO

FARM DUTY ELECTRIC MOTOR
 HIGH STARTING TORQUE - MANUAL OVERLOAD
 SINGLE PHASE - CAPACITOR START / CAPACITOR RUN
 ROLLED STEEL CONSTRUCTION
 TOTALLY ENCLOSED FAN COOLED



DIMENSIONS

HP	RPM	Frame	MOUNTING														
			A	B	C	D	G	H	J	E	2E	2F1	2F2	O	P	T	BA
2	1800	145T	11	7.9	18.9	5.25	0.7	0.41	2.4	4.25	8.5	4.5	5.5	11.2	11.6	1.9	3.5

Shaft Extension, Key Set						Conduit Box		Bearings		Mount
U	V	R	S	ES	N-W	AA	AB	DE	ODE	
1.125	3.12	1.201	0.312	2.41	3.38	1	9	6205-2RZC3	6203-2RZC3	F1

BEARING LUBRICATION: The bearings come lubricated with Mobil Polyrex EM Polyurea Grease.



F145T2S4C-MO

FARM DUTY ELECTRIC MOTOR
HIGH STARTING TORQUE - MANUAL OVERLOAD
SINGLE PHASE - CAPACITOR START / CAPACITOR RUN
ROLLED STEEL CONSTRUCTION

PERFORMANCE DATA

HP	RPM	Frame	Voltage	Frequency (Hz)	Full Load S.F.	Insulation Class	NEMA Design	Slip (%)	NEMA Code	Enclosure Type	IP Rating	Max. Ambient
2	1745	145T	115/208-230V	60	1.15	F	L	3.1	J	TEFC	IP44	40°C

Amps (230V)		Efficiency (%)			Power Factor			Torque (ft-lb)			DE Bearing	ODE Bearing	Connection	Weight (lbs.)
FLA	LRA	100%	75%	50%	100%	75%	50%	FLT	LRT %	BDT %				
8.27	63.0	82	75	67.9	0.96	0.94	0.9	8.14	293	245	6205-2RZC3	6203-2RZC3	5 Lead/P1,P2	50

NAME PLATE											
						FARM DUTY HIGH STARTING TORQUE MANUAL OVERLOAD PROTECTION TOTALLY ENCLOSED FAN COOLED					
SINGLE PHASE ELECTRIC MOTOR											
MODEL		HP	2	RPM	1745	FRAME	145T				
F145T2S4C-MO		ENCL	TEFC	HZ	60	PHASE	1				
VOLT	115/208-230V	AMPS	16.51/9.08-8.27	S.F.	1.15	DESIGN	L				
S.F. AMPS	19/11-9.6	CLASS	F	CODE	J	LBS	50				
DE BEARING				6205-2RZC3							
ODE BEARING				6203-2RZC3							
MAX AMB.		40°C	RATING		CONT						
SER											
General purpose use on equipment and farm duty machinery requiring high starting torques.											
Hernando, Mississippi											

APPLICATIONS:

General purpose use on pumps, fans, conveyors, poultry equipment, air compressors and other farm duty machinery requiring high starting torques.