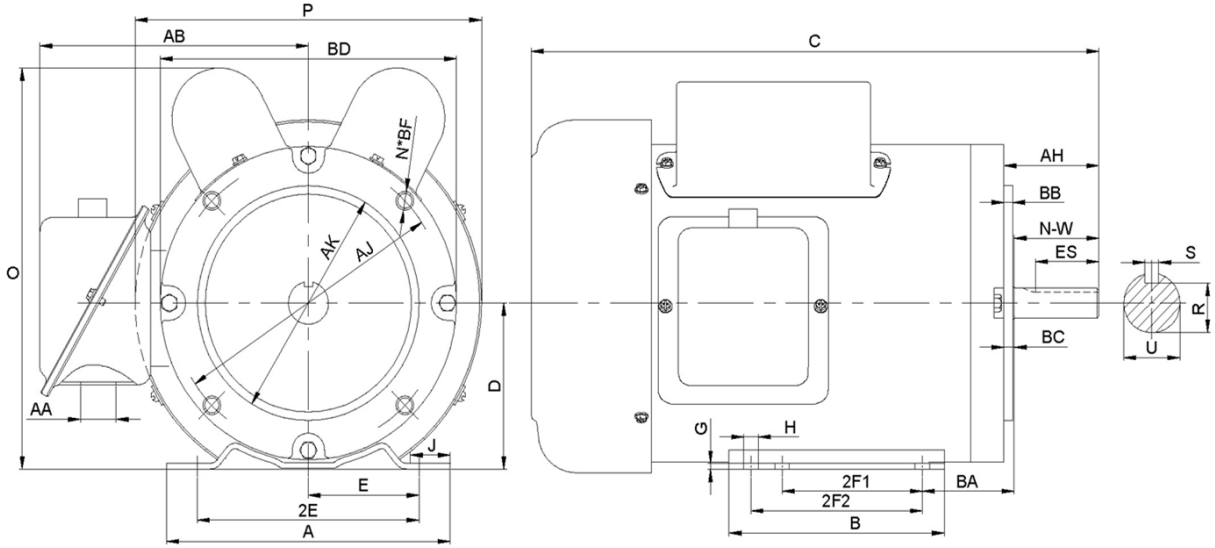


## F56CH2S4C-MO

FARM DUTY ELECTRIC MOTOR  
 HIGH STARTING TORQUE - MANUAL OVERLOAD  
 SINGLE PHASE - CAPACITOR START / CAPACITOR RUN  
 ROLLED STEEL CONSTRUCTION  
 TOTALLY ENCLOSED FAN COOLED



### DIMENSIONS

HP	RPM	Frame	MOUNTING														
			A	B	C	D	G	H	J	E	2E	2F1	2F2	O	P	T	BA
2	1800	56CH	6.5	6.5	14.57	3.5	0.12	0.34	1.06	2.44	4.88	3	5	8.46	7.01	NA	2.75

FLANGE							Shaft Extension, Key Set						
AH	AJ	AK	BB	BC	BD	BF	U	V	R	S	ES	N-W	
2.06	5.875	4.5	0.16	0.19	6.5	4*3/8-16	0.625	1.5	0.517	0.188	1.41	1.88	

Conduit Box		Bearings		Mount
AA	AB	DE	ODE	
0.81	6.18	6203-2RZC3	6203-2RZC3	F1

**BEARING LUBRICATION:** The bearings come lubricated with Mobile Polyrex EM Polyurea Grease.



## F56CH2S4C-MO

**FARM DUTY ELECTRIC MOTOR**  
**HIGH STARTING TORQUE - MANUAL OVERLOAD**  
**SINGLE PHASE - CAPACITOR START / CAPACITOR RUN**  
**ROLLED STEEL CONSTRUCTION**  
**TOTALLY ENCLOSED FAN COOLED**

### PERFORMANCE DATA

HP	RPM	Frame	Voltage	Frequency (Hz)	Full Load S.F.	Insulation Class	NEMA Design	Slip (%)	NEMA Code	Enclosure Type	IP Rating	Max. Ambient
2	1745	56CH	115/208-230V	60	1.15	F	L	3.1	J	TEFC	IP44	40°C

Amps (230V)		Efficiency (%)			Power Factor			Torque (ft-lb)			DE Bearing	ODE Bearing	Connection	Weight (lbs.)
FLA	LRA	100%	75%	50%	100%	75%	50%	FLT	LRT %	BDT %				
8.27	63.0	82	74	67	0.96	0.94	0.9	8.14	293	231	6203-2RZC3	6203-2RZC3	5 Lead/P1,P2	45

### NAME PLATE

		<b>FARM DUTY</b>	
<b>SINGLE PHASE ELECTRIC MOTOR</b>		<b>HIGH STARTING TORQUE MANUAL OVERLOAD</b>	
MODEL	F56CH2S4C-MO	HP	2
FRAME	56CH	ENCL	TEFC
RPM	1745	PH	1
DESIGN	L	CODE	J
		HZ	60
DESIGN	L	CLASS	F
		S.F.	1.15
DE BRG	6203-2RZC3	ODE BRG	6203-2RZC3
VOLT	115/208-230V	LBS	45
AMPS	16.51/9.08-8.27	DUTY	CONT
S.F. AMPS	18.8/10.6-9.6	MAX AMB	40°C
SERIAL NUMBER			
115V LOW VOLTAGE		208-230V HIGH VOLTAGE	
CCW	L1	CW	L1
(P1)		(P1)	
(P2)		(P2)	
(T3)		(T3)	
(T8)		(T8)	
(T2)		(T2)	
(T4)		(T4)	
(T5)		(T5)	
	L2		L2
Hernando, MS www.naemotors.com			