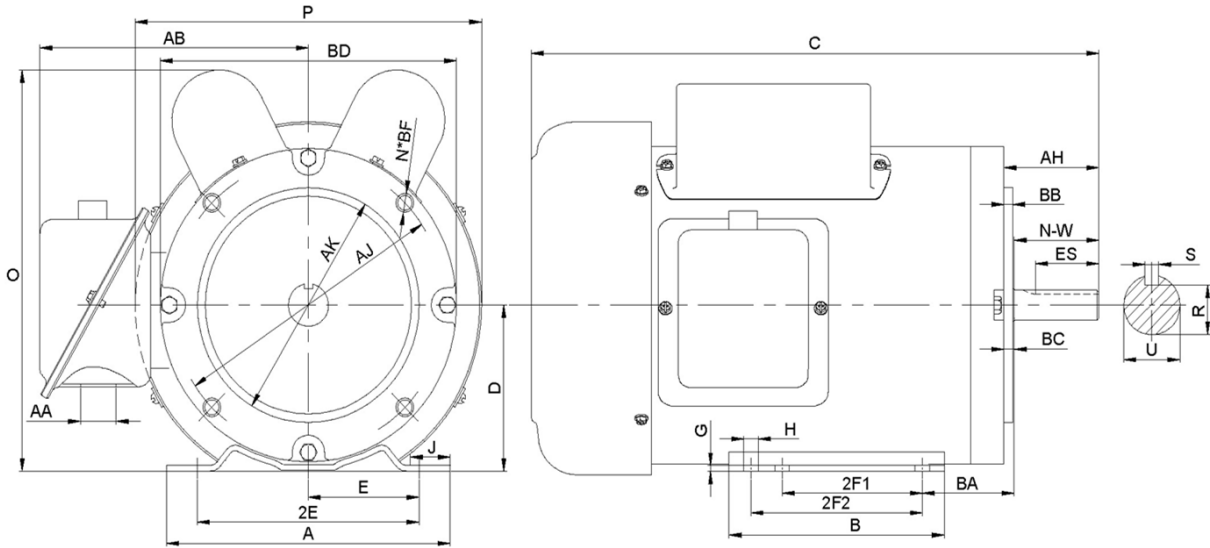


F56C1S4C-MO

FARM DUTY ELECTRIC MOTOR
 HIGH STARTING TORQUE - MANUAL OVERLOAD
 SINGLE PHASE - CAPACITOR START / CAPACITOR RUN
 ROLLED STEEL CONSTRUCTION
 TOTALLY ENCLOSED FAN COOLED



DIMENSIONS

HP	RPM	Frame	MOUNTING														
			A	B	C	D	G	H	J	E	2E	2F1	2F2	O	P	T	BA
1	1800	56C	6.3	3.94	14.57	3.5	0.12	0.34	1.46	2.44	4.88	3	NA	8.46	7.01	NA	2.75

FLANGE							Shaft Extension, Key Set					
AH	AJ	AK	BB	BC	BD	BF	U	V	R	S	ES	N-W
2.06	5.875	4.5	0.16	0.19	6.5	4*3/8-16	0.625	1.5	0.517	0.188	1.41	1.88

Conduit Box		Bearings		Mount
AA	AB	DE	ODE	
0.81	6.18	6203-2RZC3	6203-2RZC3	F1

BEARING LUBRICATION: The bearings come lubricated with Mobile Polyrex EM Polyurea Grease.



F56C1S4C-MO

FARM DUTY ELECTRIC MOTOR
HIGH STARTING TORQUE - MANUAL OVERLOAD
SINGLE PHASE - CAPACITOR START / CAPACITOR RUN
ROLLED STEEL CONSTRUCTION
TOTALLY ENCLOSED FAN COOLED

PERFORMANCE DATA

HP	RPM	Frame	Voltage	Frequency (Hz)	Full Load S.F.	Insulation Class	NEMA Design	Slip (%)	NEMA Code	Enclosure Type	IP Rating	Max. Ambient
1	1755	56C	115/208-230V	60	1.15	F	L	2.5	L	TEFC	IP44	40°C

Amps (230V)		Efficiency (%)			Power Factor			Torque (ft-lb)			DE Bearing	ODE Bearing	Connection	Weight (lbs.)
FLA	LRA	100%	75%	50%	100%	75%	50%	FLT	LRT %	BDT %				
5.04	38.6	75.4	68	59	0.85	0.82	0.78	4.05	278	259	6203-2RZC3	6203-2RZC3	5 Lead/P1,P2	32

NAME PLATE

		FARM DUTY																																					
SINGLE PHASE ELECTRIC MOTOR		HIGH STARTING TORQUE MANUAL OVERLOAD																																					
MODEL	F56C1S4C-MO	HP	1																																				
FRAME	56C	ENCL	TEFC																																				
RPM	1755	PH	1																																				
DESIGN	L	CODE	L																																				
		HZ	60																																				
DESIGN	L	CLASS	F																																				
		S.F.	1.15																																				
DE BRG	6203-2RZC3	ODE BRG	6203-2RZC3																																				
VOLT	115/208-230V	LBS	32																																				
AMPS	9.7/4.89-5.04	DUTY	CONT																																				
S.F. AMPS	10.8/6.1-5.5	MAX AMB	40°C																																				
SERIAL NUMBER																																							
<table border="0"> <tr> <td colspan="2">115V LOW VOLTAGE</td> <td colspan="2">208-230V HIGH VOLTAGE</td> </tr> <tr> <td>CCW</td> <td>CW</td> <td>CCW</td> <td>CW</td> </tr> <tr> <td>(P1) ——— L1 ——— (P1)</td> <td></td> <td>(P1) ——— L1 ——— (P1)</td> <td></td> </tr> <tr> <td>(P2) ———</td> <td>(P2) ———</td> <td>(P2) ———</td> <td>(P2) ———</td> </tr> <tr> <td>(T3) ———</td> <td>(T3) ———</td> <td>(T3) ———</td> <td>(T3) ———</td> </tr> <tr> <td>(T8) ———</td> <td>(T8) ———</td> <td>(T8) ———</td> <td>(T8) ———</td> </tr> <tr> <td>(T2) ———</td> <td>(T2) ———</td> <td>(T2) ———</td> <td>(T2) ———</td> </tr> <tr> <td>(T4) ——— L2 ——— (T4)</td> <td></td> <td>(T4) ——— L2 ——— (T4)</td> <td></td> </tr> <tr> <td>(T5) ———</td> <td>(T5) ———</td> <td>(T5) ———</td> <td>(T5) ———</td> </tr> </table>				115V LOW VOLTAGE		208-230V HIGH VOLTAGE		CCW	CW	CCW	CW	(P1) ——— L1 ——— (P1)		(P1) ——— L1 ——— (P1)		(P2) ———	(P2) ———	(P2) ———	(P2) ———	(T3) ———	(T3) ———	(T3) ———	(T3) ———	(T8) ———	(T8) ———	(T8) ———	(T8) ———	(T2) ———	(T2) ———	(T2) ———	(T2) ———	(T4) ——— L2 ——— (T4)		(T4) ——— L2 ——— (T4)		(T5) ———	(T5) ———	(T5) ———	(T5) ———
115V LOW VOLTAGE		208-230V HIGH VOLTAGE																																					
CCW	CW	CCW	CW																																				
(P1) ——— L1 ——— (P1)		(P1) ——— L1 ——— (P1)																																					
(P2) ———	(P2) ———	(P2) ———	(P2) ———																																				
(T3) ———	(T3) ———	(T3) ———	(T3) ———																																				
(T8) ———	(T8) ———	(T8) ———	(T8) ———																																				
(T2) ———	(T2) ———	(T2) ———	(T2) ———																																				
(T4) ——— L2 ——— (T4)		(T4) ——— L2 ——— (T4)																																					
(T5) ———	(T5) ———	(T5) ———	(T5) ———																																				
Hernando, MS www.naemotors.com																																							