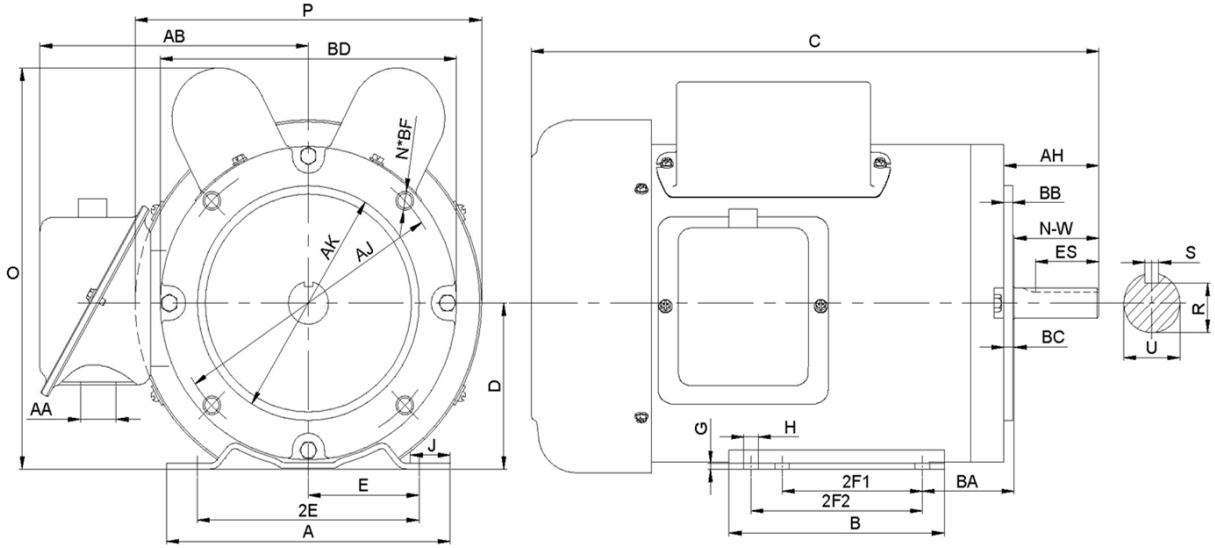


**F56C3/4S4C-MO**

FARM DUTY ELECTRIC MOTOR  
 HIGH STARTING TORQUE - MANUAL OVERLOAD  
 SINGLE PHASE - CAPACITOR START / CAPACITOR RUN  
 ROLLED STEEL CONSTRUCTION  
 TOTALLY ENCLOSED FAN COOLED



**DIMENSIONS**

HP	RPM	Frame	MOUNTING														
			A	B	C	D	G	H	J	E	2E	2F1	2F2	O	P	T	BA
3/4	1800	56C	6.3	3.94	14.57	3.5	0.12	0.34	1.46	2.44	4.88	3	NA	8.46	7.01	NA	2.75

FLANGE							Shaft Extension, Key Set						
AH	AJ	AK	BB	BC	BD	BF	U	V	R	S	ES	N-W	
2.06	5.875	4.5	0.16	0.19	6.5	4*3/8-16	0.625	1.5	0.517	0.188	1.41	1.88	

Conduit Box		Bearings		Mount
AA	AB	DE	ODE	
0.81	6.18	6203-2RZC3	6203-2RZC3	F1

**BEARING LUBRICATION:** The bearings come lubricated with Mobile Polyrex EM Polyurea Grease.



## F56C3/4S4C-MO

**FARM DUTY ELECTRIC MOTOR**  
**HIGH STARTING TORQUE - MANUAL OVERLOAD**  
**SINGLE PHASE - CAPACITOR START / CAPACITOR RUN**  
**ROLLED STEEL CONSTRUCTION**  
**TOTALLY ENCLOSED FAN COOLED**

### PERFORMANCE DATA

HP	RPM	Frame	Voltage	Frequency (Hz)	Full Load S.F.	Insulation Class	NEMA Design	Slip (%)	NEMA Code	Enclosure Type	IP Rating	Max. Ambient
3/4	1750	56C	115/208-230V	60	1.15	F	L	2.8	M	TEFC	IP44	40°C

Amps (230V)		Efficiency (%)			Power Factor			Torque (ft-lb)			DE Bearing	ODE Bearing	Connection	Weight (lbs.)
FLA	LRA	100%	75%	50%	100%	75%	50%	FLT	LRT %	BDT %				
4.22	30.8	67	60.4	50.3	0.84	0.81	0.77	3.04	289	301	6203-2RZC3	6203-2RZC3	5 Lead/P1,P2	28

### NAME PLATE

		<b>FARM DUTY</b> HIGH STARTING TORQUE MANUAL OVERLOAD SINGLE PHASE ELECTRIC MOTOR	
MODEL	F56C3/4S4C-MO	HP	3/4
FRAME	56C	ENCL	TEFC
RPM	1750	PH	1
DESIGN	L	CODE	M
		HZ	60
		CLASS	F
		S.F.	1.15
DE BRG	6203-2RZC3	ODE BRG	6203-2RZC3
VOLT	115/208-230V	LBS	28
AMPS	8.27/4-4.22	DUTY	CONT
S.F. AMPS	8.9/5.1-4.6	MAX AMB	40°C
SERIAL NUMBER			
115V LOW VOLTAGE CCW (P1) — L1 — CW (P1) (P2) — (P2) (T3) — (T3) (T8) — (T8) (T2) — (T2) (T4) — L2 — (T4) (T5) — (T5)		208-230V HIGH VOLTAGE CCW (P1) — L1 — CW (P1) (P2) — (P2) (T3) — (T3) (T8) — (T8) (T2) — (T2) (T4) — L2 — (T4) (T5) — (T5)	
Hernando, MS www.naemotors.com		ISO9001 CERTIFIED	