

PE215T-3-8C

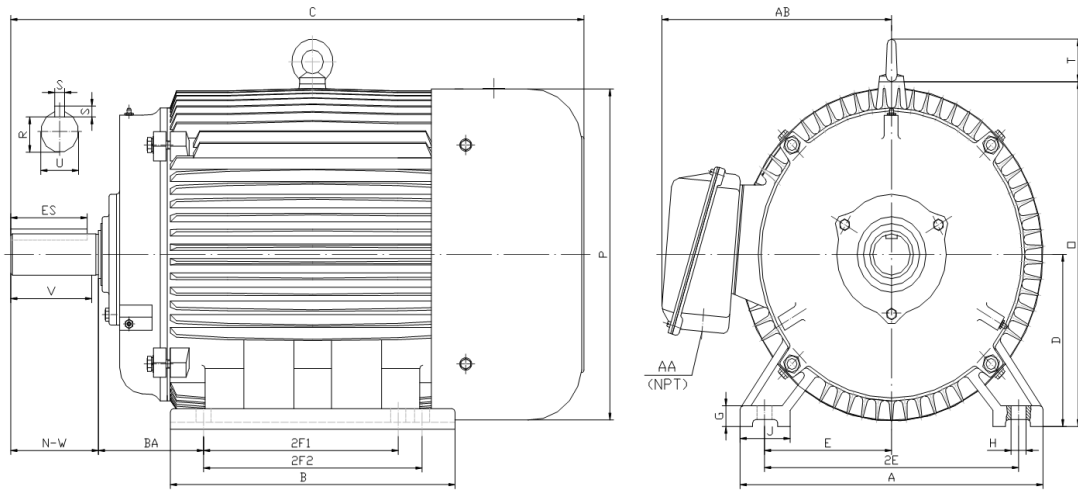
GENERAL PURPOSE ELECTRIC MOTOR

NEMA PREMIUM EFFICIENCY

TOTALLY ENCLOSED FAN COOLED

INVERTER DUTY 10:1 CT; 20:1 VT - NEMA MG1 PART 31

Factory Certified for T2B Class I, Division II, Groups A,B,C & D and Class II, Division II, Groups F & G



DIMENSIONS

HP	RPM	Frame	MOUNTING														
			A	B	C	D	G	H	J	E	2E	2F1	2F2	O	P	T	BA
3	900	215T	11.00	9.40	20.40	5.25	0.70	0.41	2.40	4.25	8.50	5.50	7.00	10.50	10.20	1.90	3.50

Shaft Extension, Key Set						Conduit Box		Bearings		Mount
U	V	R	S	ES	N-W	AA	AB	DE	ODE	
1.375	3.12	1.201	0.312	2.41	3.38	1.00	8.30	6308-ZZ	6308-ZZ	F1

BEARING LUBRICATION: The bearings come lubricated with Mobil Polyrex EM Polyurea Grease.





PE215T-3-8C

GENERAL PURPOSE ELECTRIC MOTOR

NEMA PREMIUM EFFICIENCY

TOTALLY ENCLOSED FAN COOLED

INVERTER DUTY 10:1 CT; 20:1 VT - NEMA MG1 PART 31

Factory Certified for T2B Class I, Division II, Groups A,B,C & D and Class II, Division II, Groups F & G

PERFORMANCE DATA

HP	RPM	Frame	Voltage	Frequency (Hz)	Full Load S.F.	Insulation Class	NEMA Design	Slip (%)	NEMA Code	Enclosure Type	IP Rating	Max. Ambient
3	865	215T	208-230/460	60	1.15	F	C	3.9	K	TEFC	55	40° C

Amps (460V)		Efficiency (%)				Power Factor			Torque (ft-lb)			DE Bearing	ODE Bearing	Connection	Weight (lbs.)
FLA	LRA	100%	75%	50%	Min.	100%	75%	50%	FLT	LRT %	BDT %				
4.9	32	85.5	85.0	84.0	82.5	0.700	0.610	0.480	18.5	230	280	6308-ZZ	6308-ZZ	9 Lead 2Y/Y	163

NAME PLATE

										<p>CONNECTION DIAGRAMS</p> <p>208-230V</p>		
CAT NO: PE215T-3-8C			FRAME 215T			PHASE 3						
HZ 60	S.F. 1.15	HZ 50	S.F. 1.0	ENCL TEFC	IP 55							
HP 3	RPM 865	HP 3	RPM 720	DUTY CONT	DES C							
VOLTS 208-230/460		VOLTS 190/380		AMB 40° C	INS F							
FLA 10.8 - 9.8 / 4.9	FLA 11.8/5.9		DE BEARING 6308-ZZ									
CODE K	P.F. 0.70	CODE H	P.F. 0.72	ODE BEARING 6308-ZZ								
EFF 85.5	MIN 82.5	EFF 83.5	MIN 80.5	LUB: Mobil Polyrex EM								
MOTOR WEIGHT 163 LBS		CONNECTION 9 Lead 2Y/Y		SER NO								
<p>General purpose use on industrial machinery installed in damp, dusty or dirty environments.</p> <p>Hernando, Mississippi</p> <p>CC 082A</p>										<p>460V</p>		

APPLICATIONS:

General purpose use on pumps, fans, blowers, compressors, conveyors, material handling and other industrial machinery installed in damp, dusty or dirty environments.