

**PE182T-3-4C**

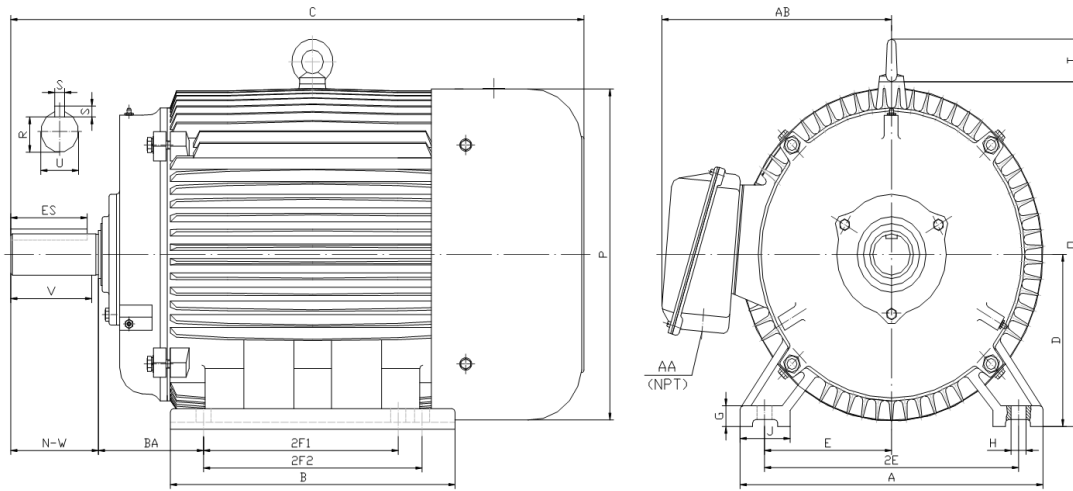
**GENERAL PURPOSE ELECTRIC MOTOR**

**NEMA PREMIUM EFFICIENCY**

**TOTALLY ENCLOSED FAN COOLED**

**INVERTER DUTY 10:1 CT; 20:1 VT - NEMA MG1 PART 31**

Factory Certified for T2B Class I, Division II, Groups A,B,C & D and Class II, Division II, Groups F & G



**DIMENSIONS**

HP	RPM	Frame	MOUNTING														
			A	B	C	D	G	H	J	E	2E	2F1	2F2	O	P	T	BA
3	1800	182T	9.50	7.30	16.10	4.50	0.60	0.41	2.00	3.75	7.50	4.50	5.50	9.10	8.70	1.60	2.75

Shaft Extension, Key Set						Conduit Box		Bearings		Mount
U	V	R	S	ES	N-W	AA	AB	DE	ODE	
1.125	2.50	0.986	0.250	1.78	2.75	0.75	7.50	6306-ZZ	6306-ZZ	F1

**BEARING LUBRICATION:** The bearings come lubricated with Mobil Polyrex EM Polyurea Grease.





**PE182T-3-4C**

**GENERAL PURPOSE ELECTRIC MOTOR**

**NEMA PREMIUM EFFICIENCY**

**TOTALLY ENCLOSED FAN COOLED**

**INVERTER DUTY 10:1 CT; 20:1 VT - NEMA MG1 PART 31**

Factory Certified for T2B Class I, Division II, Groups A,B,C & D and Class II, Division II, Groups F & G

**PERFORMANCE DATA**

HP	RPM	Frame	Voltage	Frequency (Hz)	Full Load S.F.	Insulation Class	NEMA Design	Slip (%)	NEMA Code	Enclosure Type	IP Rating	Max. Ambient
3	1765	182T	208-230/460	60	1.15	F	C	2.0	K	TEFC	55	40° C

Amps (460V)		Efficiency (%)				Power Factor			Torque (ft-lb)			DE Bearing	ODE Bearing	Connection	Weight (lbs.)
FLA	LRA	100%	75%	50%	Min.	100%	75%	50%	FLT	LRT %	BDT %				
3.9	32	89.5	89.1	87.6	87.5	0.750	0.680	0.560	9.0	270	320	6306-ZZ	6306-ZZ	9 Lead 2Y/Y	87

**NAME PLATE**

										<p>CONNECTION DIAGRAMS</p>						
<p>INVERTER DUTY 20:1 VT; 10:1 CT</p>										<p>208-230V</p>						
CAT NO:		PE182T-3-4C			FRAME		182T		PHASE		3					
HZ	60	S.F.	1.15	HZ	50	S.F.	1.0	ENCL	TEFC	IP	55					
HP	3	RPM	1765	HP	3	RPM	1450	DUTY	CONT	DES	C					
VOLTS		208-230/460			VOLTS		190/380		AMB	40° C	INS	F				
FLA	8.3 - 7.8 / 3.9			FLA		9.8/4.9		DE BEARING		6306-ZZ						
CODE	K	P.F.	0.75	CODE	H	P.F.	0.80	ODE BEARING		6306-ZZ						
EFF	89.5	MIN	87.5	EFF	87	MIN	85	LUB:		Mobil Polyrex EM						
MOTOR WEIGHT		87	LBS	CONNECTION		9 Lead 2Y/Y		SER NO								
<p>General purpose use on industrial machinery installed in damp, dusty or dirty environments.</p> <p>Hernando, Mississippi</p>												<p>CC 082A</p>				

**APPLICATIONS:**

General purpose use on pumps, fans, blowers, compressors, conveyors, material handling and other industrial machinery installed in damp, dusty or dirty environments.