

PE213T-2-8C

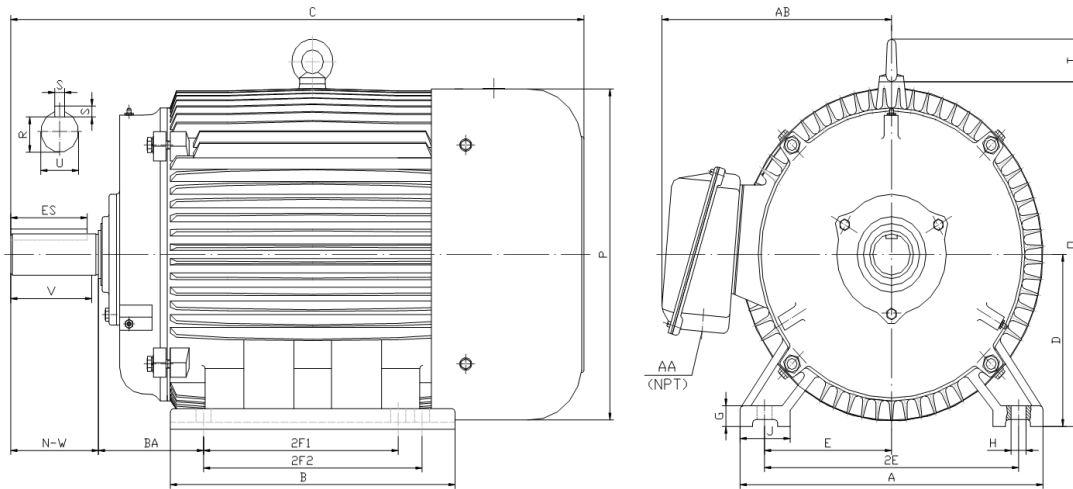
GENERAL PURPOSE ELECTRIC MOTOR

NEMA PREMIUM EFFICIENCY

TOTALLY ENCLOSED FAN COOLED

INVERTER DUTY 10:1 CT; 20:1 VT - NEMA MG1 PART 31

Factory Certified for T2B Class I, Division II, Groups A,B,C & D and Class II, Division II, Groups F & G



DIMENSIONS

HP	RPM	Frame	MOUNTING														
			A	B	C	D	G	H	J	E	2E	2F1	2F2	O	P	T	BA
2	900	213T	11.00	7.90	18.90	5.25	0.70	0.41	2.40	4.25	8.50	5.50	0.00	10.50	10.20	1.90	3.50

Shaft Extension, Key Set						Conduit Box		Bearings		Mount
U	V	R	S	ES	N-W	AA	AB	DE	ODE	
1.375	3.12	1.201	0.312	2.41	3.38	1.00	8.30	6308-ZZ	6308-ZZ	F1

BEARING LUBRICATION: The bearings come lubricated with Mobil Polyrex EM Polyurea Grease.





PE213T-2-8C

GENERAL PURPOSE ELECTRIC MOTOR

NEMA PREMIUM EFFICIENCY

TOTALLY ENCLOSED FAN COOLED

INVERTER DUTY 10:1 CT; 20:1 VT - NEMA MG1 PART 31

Factory Certified for T2B Class I, Division II, Groups A,B,C & D and Class II, Division II, Groups F & G

PERFORMANCE DATA

HP	RPM	Frame	Voltage	Frequency (Hz)	Full Load S.F.	Insulation Class	NEMA Design	Slip (%)	NEMA Code	Enclosure Type	IP Rating	Max. Ambient
2	865	213T	208-230/460	60	1.15	F	C	3.9	L	TEFC	55	40° C

Amps (460V)		Efficiency (%)				Power Factor			Torque (ft-lb)			DE Bearing	ODE Bearing	Connection	Weight (lbs.)
FLA	LRA	100%	75%	50%	Min.	100%	75%	50%	FLT	LRT %	BDT %				
3.4	25	84.0	83.5	80.0	81.5	0.690	0.570	0.440	12.4	230	280	6308-ZZ	6308-ZZ	9 Lead 2Y/Y	132

NAME PLATE

<p>INVERTER DUTY 20:1 VT; 10:1 CT</p>										CONNECTION DIAGRAMS																
CAT NO:		PE213T-2-8C				FRAME		213T		PHASE		3		<p>208-230V</p>												
HZ		60		S.F.		1.15		HZ		50		S.F.					1.0		ENCL		TEFC		IP		55	
HP		2		RPM		865		HP		2		RPM					720		DUTY		CONT		DES		C	
VOLTS		208-230/460				VOLTS		190/380				AMB					40° C		INS		F					
FLA		7.5 - 6.8 / 3.4				FLA		8.0/4.0				DE BEARING		6308-ZZ												
CODE		L		P.F.		0.69		CODE		J		P.F.		0.71		ODE BEARING		6308-ZZ								
EFF		84.0		MIN		81.5		EFF		82		MIN		79.5				LUB:		Mobil Polyrex EM						
MOTOR WEIGHT		132		LBS		CONNECTION		9 Lead 2Y/Y				SER NO														
<p>General purpose use on industrial machinery installed in damp, dusty or dirty environments.</p> <p>Hernando, Mississippi</p> <p>CC 082A</p>										<p>460V</p>																

APPLICATIONS:

General purpose use on pumps, fans, blowers, compressors, conveyors, material handling and other industrial machinery installed in damp, dusty or dirty environments.