

PE184T-2-6C

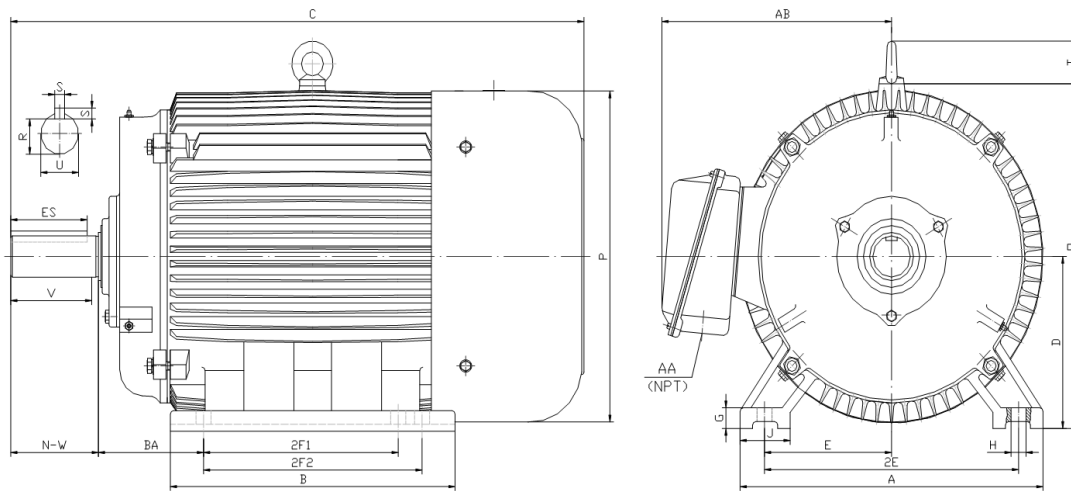
GENERAL PURPOSE ELECTRIC MOTOR

NEMA PREMIUM EFFICIENCY

TOTALLY ENCLOSED FAN COOLED

INVERTER DUTY 10:1 CT; 20:1 VT - NEMA MG1 PART 31

Factory Certified for T2B Class I, Division II, Groups A,B,C & D and Class II, Division II, Groups F & G



DIMENSIONS

HP	RPM	Frame	MOUNTING														
			A	B	C	D	G	H	J	E	2E	2F1	2F2	O	P	T	BA
2	1200	184T	9.50	8.30	17.10	4.50	0.60	0.41	2.00	3.75	7.50	4.50	5.50	9.10	8.70	1.60	2.75

Shaft Extension, Key Set						Conduit Box		Bearings		Mount
U	V	R	S	ES	N-W	AA	AB	DE	ODE	
1.125	2.50	0.986	0.250	1.78	2.75	0.75	7.50	6306-ZZ	6306-ZZ	F1

BEARING LUBRICATION: The bearings come lubricated with Mobil Polyrex EM Polyurea Grease.





PE184T-2-6C

GENERAL PURPOSE ELECTRIC MOTOR

NEMA PREMIUM EFFICIENCY

TOTALLY ENCLOSED FAN COOLED

INVERTER DUTY 10:1 CT; 20:1 VT - NEMA MG1 PART 31

Factory Certified for T2B Class I, Division II, Groups A,B,C & D and Class II, Division II, Groups F & G

PERFORMANCE DATA

HP	RPM	Frame	Voltage	Frequency (Hz)	Full Load S.F.	Insulation Class	NEMA Design	Slip (%)	NEMA Code	Enclosure Type	IP Rating	Max. Ambient
2	1180	184T	208-230/460	60	1.15	F	C	1.7	L	TEFC	55	40° C

Amps (460V)		Efficiency (%)				Power Factor			Torque (ft-lb)			DE Bearing	ODE Bearing	Connection	Weight (lbs.)
FLA	LRA	100%	75%	50%	Min.	100%	75%	50%	FLT	LRT %	BDT %				
3.2	25	88.5	88.0	86.4	86.5	0.650	0.600	0.460	9.1	250	320	6306-ZZ	6306-ZZ	9 Lead 2Y/Y	94

NAME PLATE

										CONNECTION DIAGRAMS													
INVERTER DUTY 20:1 VT; 10:1 CT										208-230V 													
CAT NO:		PE184T-2-6C			FRAME		184T		PHASE		3												
HZ		60		S.F.		1.15		HZ		50		S.F.		1.0		ENCL		TEFC		IP		55	
HP		2		RPM		1180		HP		2		RPM		975		DUTY		CONT		DES		C	
VOLTS		208-230/460				VOLTS		190/380				AMB		40° C		INS		F					
FLA		6.6 - 6.4 / 3.2				FLA		7.0/3.5				DE BEARING		6306-ZZ									
CODE		L		P.F.		0.65		CODE		J		P.F.		0.75		ODE BEARING		6306-ZZ					
EFF		88.5		MIN		86.5		EFF		86.5		MIN		84.5		LUB: Mobil Polyrex EM							
MOTOR WEIGHT		94		LBS		CONNECTION		9 Lead 2Y/Y				SER NO											
General purpose use on industrial machinery installed in damp, dusty or dirty environments. Hernando, Mississippi																CC 082A							
										460V 													

APPLICATIONS:

General purpose use on pumps, fans, blowers, compressors, conveyors, material handling and other industrial machinery installed in damp, dusty or dirty environments.