

PE182T-1.5-6C

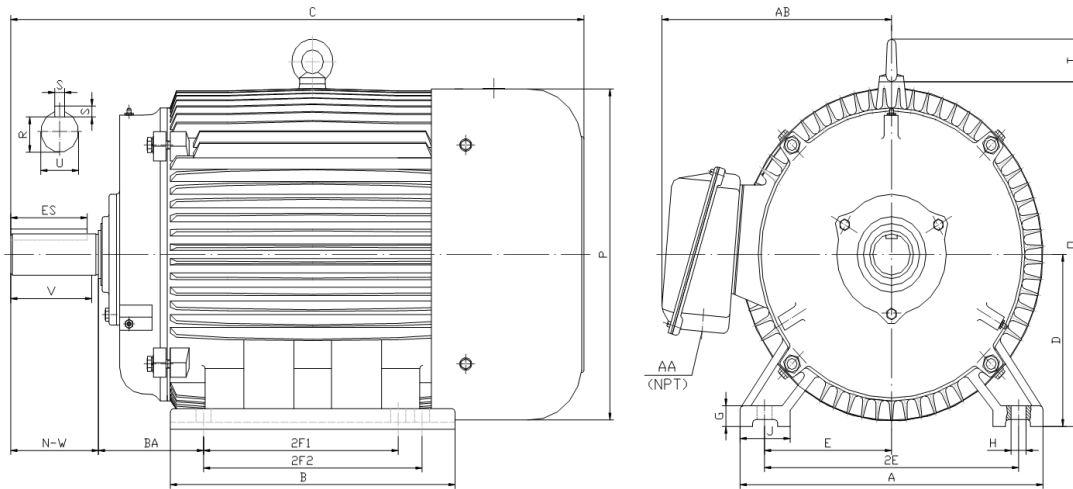
GENERAL PURPOSE ELECTRIC MOTOR

NEMA PREMIUM EFFICIENCY

TOTALLY ENCLOSED FAN COOLED

INVERTER DUTY 10:1 CT; 20:1 VT - NEMA MG1 PART 31

Factory Certified for T2B Class I, Division II, Groups A,B,C & D and Class II, Division II, Groups F & G



DIMENSIONS

| HP | RPM | Frame | MOUNTING | | | | | | | | | | | | | | |
|-----|------|-------|----------|------|-------|------|------|------|------|------|------|------|------|------|------|------|------|
| | | | A | B | C | D | G | H | J | E | 2E | 2F1 | 2F2 | O | P | T | BA |
| 1.5 | 1200 | 182T | 9.50 | 7.30 | 16.10 | 4.50 | 0.60 | 0.41 | 2.00 | 3.75 | 7.50 | 4.50 | 5.50 | 9.10 | 8.70 | 1.60 | 2.75 |

| Shaft Extension, Key Set | | | | | | Conduit Box | | Bearings | | Mount |
|--------------------------|------|-------|-------|------|------|-------------|------|----------|---------|-------|
| U | V | R | S | ES | N-W | AA | AB | DE | ODE | |
| 1.125 | 2.50 | 0.986 | 0.250 | 1.78 | 2.75 | 0.75 | 7.50 | 6306-ZZ | 6306-ZZ | F1 |

BEARING LUBRICATION: The bearings come lubricated with Mobil Polyrex EM Polyurea Grease.





PE182T-1.5-6C

GENERAL PURPOSE ELECTRIC MOTOR

NEMA PREMIUM EFFICIENCY

TOTALLY ENCLOSED FAN COOLED

INVERTER DUTY 10:1 CT; 20:1 VT - NEMA MG1 PART 31

Factory Certified for T2B Class I, Division II, Groups A,B,C & D and Class II, Division II, Groups F & G

PERFORMANCE DATA

| HP | RPM | Frame | Voltage | Frequency (Hz) | Full Load S.F. | Insulation Class | NEMA Design | Slip (%) | NEMA Code | Enclosure Type | IP Rating | Max. Ambient |
|-----|------|-------|-------------|----------------|----------------|------------------|-------------|----------|-----------|----------------|-----------|--------------|
| 1.5 | 1175 | 182T | 208-230/460 | 60 | 1.15 | F | C | 2.1 | M | TEFC | 55 | 40° C |

| Amps (460V) | | Efficiency (%) | | | | Power Factor | | | Torque (ft-lb) | | | DE Bearing | ODE Bearing | Connection | Weight (lbs.) |
|-------------|-----|----------------|------|------|------|--------------|-------|-------|----------------|-------|-------|------------|-------------|-------------|---------------|
| FLA | LRA | 100% | 75% | 50% | Min. | 100% | 75% | 50% | FLT | LRT % | BDT % | | | | |
| 2.4 | 20 | 87.5 | 86.5 | 84.0 | 85.5 | 0.680 | 0.590 | 0.470 | 6.8 | 250 | 300 | 6306-ZZ | 6306-ZZ | 9 Lead 2Y/Y | 95 |

NAME PLATE

| | | | | | | | | | | | | | | | |
|------------------------------------------------------------------------------------------------------------------------------------------------|------|-----------------|------|------------|-------|-------------|---------|-------------|------------|---------------------|---------|------------------|-------------------------|--|---|
| <p>INVERTER DUTY 20:1 VT; 10:1 CT</p> | | | | | | | | | | CONNECTION DIAGRAMS | | | | | |
| CAT NO: | | PE182T-1.5-6C | | | FRAME | | 182T | | PHASE | | 3 | | <p>208-230V</p> | | |
| HZ | 60 | S.F. | 1.15 | HZ | 50 | S.F. | 1.0 | ENCL | TEFC | IP | 55 | | | | |
| HP | 1.5 | RPM | 1175 | HP | 1.5 | RPM | 970 | DUTY | CONT | DES | C | <p>460V</p> | | | |
| VOLTS | | 208-230/460 | | | VOLTS | | 190/380 | | AMB | 40° C | INS | | | | F |
| FLA | | 5.2 - 4.8 / 2.4 | | | FLA | | 5.6/2.8 | | DE BEARING | | 6306-ZZ | | <p>Mobil Polyrex EM</p> | | |
| CODE | M | P.F. | 0.68 | CODE | K | P.F. | 0.73 | ODE BEARING | | 6306-ZZ | | | | | |
| EFF | 87.5 | MIN | 85.5 | EFF | 85.5 | MIN | 83.5 | LUB: | | | | Mobil Polyrex EM | | | |
| MOTOR WEIGHT | | 95 | LBS | CONNECTION | | 9 Lead 2Y/Y | | SER NO | | | | | | | |
| <p>General purpose use on industrial machinery installed in damp, dusty or dirty environments.</p> <p>Hernando, Mississippi</p> <p>CC 082A</p> | | | | | | | | | | | | | | | |

APPLICATIONS:

General purpose use on pumps, fans, blowers, compressors, conveyors, material handling and other industrial machinery installed in damp, dusty or dirty environments.