

**PE145T-1-6C**

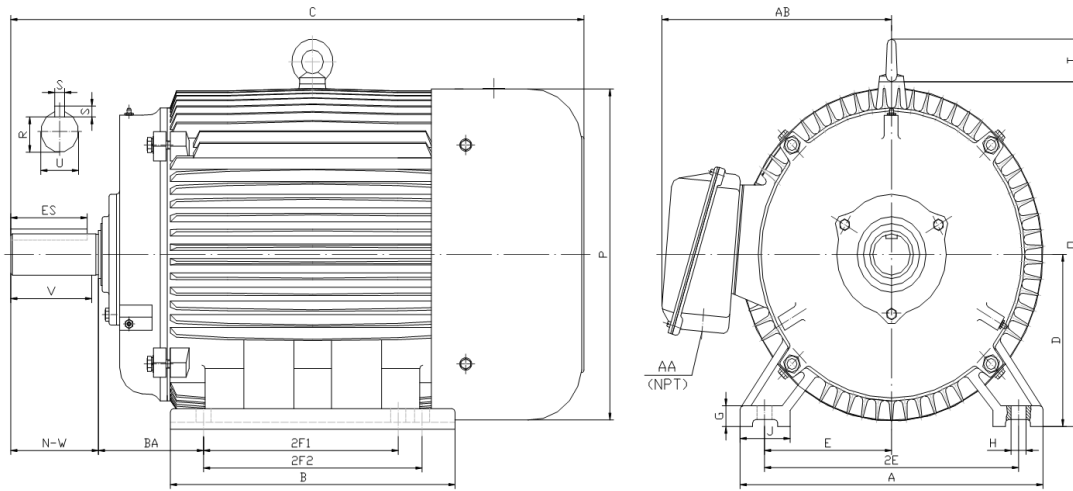
**GENERAL PURPOSE ELECTRIC MOTOR**

**NEMA PREMIUM EFFICIENCY**

**TOTALLY ENCLOSED FAN COOLED**

**INVERTER DUTY 10:1 CT; 20:1 VT - NEMA MG1 PART 31**

Factory Certified for T2B Class I, Division II, Groups A,B,C & D and Class II, Division II, Groups F & G



**DIMENSIONS**

| HP | RPM  | Frame | MOUNTING |      |       |      |      |      |      |      |      |      |      |      |      |      |      |
|----|------|-------|----------|------|-------|------|------|------|------|------|------|------|------|------|------|------|------|
|    |      |       | A        | B    | C     | D    | G    | H    | J    | E    | 2E   | 2F1  | 2F2  | O    | P    | T    | BA   |
| 1  | 1200 | 145T  | 7.00     | 6.20 | 14.60 | 3.50 | 0.50 | 0.34 | 1.40 | 2.75 | 5.50 | 4.00 | 5.00 | 7.10 | 6.95 | 0.00 | 2.25 |

| Shaft Extension, Key Set |      |       |       |      |      | Conduit Box |      | Bearings |         | Mount |
|--------------------------|------|-------|-------|------|------|-------------|------|----------|---------|-------|
| U                        | V    | R     | S     | ES   | N-W  | AA          | AB   | DE       | ODE     |       |
| 0.875                    | 2.00 | 0.771 | 0.188 | 1.41 | 2.25 | 0.75        | 6.10 | 6205-ZZ  | 6205-ZZ | F1    |

**BEARING LUBRICATION:** The bearings come lubricated with Mobil Polyrex EM Polyurea Grease.





**PE145T-1-6C**

**GENERAL PURPOSE ELECTRIC MOTOR**

**NEMA PREMIUM EFFICIENCY**

**TOTALLY ENCLOSED FAN COOLED**

**INVERTER DUTY 10:1 CT; 20:1 VT - NEMA MG1 PART 31**

Factory Certified for T2B Class I, Division II, Groups A,B,C & D and Class II, Division II, Groups F & G

**PERFORMANCE DATA**

| HP | RPM  | Frame | Voltage     | Frequency (Hz) | Full Load S.F. | Insulation Class | NEMA Design | Slip (%) | NEMA Code | Enclosure Type | IP Rating | Max. Ambient |
|----|------|-------|-------------|----------------|----------------|------------------|-------------|----------|-----------|----------------|-----------|--------------|
| 1  | 1160 | 145T  | 208-230/460 | 60             | 1.15           | F                | C           | 3.3      | M         | TEFC           | 55        | 40° C        |

| Amps (460V) |     | Efficiency (%) |      |      |      | Power Factor |       |       | Torque (ft-lb) |       |       | DE Bearing | ODE Bearing | Connection  | Weight (lbs.) |
|-------------|-----|----------------|------|------|------|--------------|-------|-------|----------------|-------|-------|------------|-------------|-------------|---------------|
| FLA         | LRA | 100%           | 75%  | 50%  | Min. | 100%         | 75%   | 50%   | FLT            | LRT % | BDT % |            |             |             |               |
| 1.8         | 15  | 82.5           | 81.0 | 79.0 | 80.0 | 0.620        | 0.540 | 0.430 | 4.6            | 260   | 300   | 6205-ZZ    | 6205-ZZ     | 9 Lead 2Y/Y | 60            |

**NAME PLATE**

|  |               |             |      |            |         |             |      |                       |      |                     |       |             |  |                 |     |   |
|--|---------------|-------------|------|------------|---------|-------------|------|-----------------------|------|---------------------|-------|-------------|--|-----------------|-----|---|
| <p>INVERTER DUTY 20:1 VT; 10:1 CT</p>  |               |             |      |            |         |             |      |                       |      | CONNECTION DIAGRAMS |       |             |  |                 |     |   |
| CAT NO:  |               | PE145T-1-6C |      |            |         | FRAME       |      | 145T                  |      | PHASE               |       | 3           |  | <p>208-230V</p> |     |   |
| HZ   | 60            | S.F.        | 1.15 | HZ         | 50      | S.F.        | 1.0  | ENCL                  | TEFC | IP                  | 55    |             |  |                 |     |   |
| HP   | 1             | RPM         | 1160 | HP         | 1       | RPM         | 950  | DUTY                  | CONT | DES                 | C     | <p>460V</p> |  |                 |     |   |
| VOLTS  |               | 208-230/460 |      |            |         | VOLTS       |      | 190/380               |      | AMB                 | 40° C |             |  |                 | INS | F |
| FLA  | 4 - 3.6 / 1.8 |             |      | FLA        | 4.0/2.0 |             |      | DE BEARING            |      | 6205-ZZ             |       |             |  |                 |     |   |
| CODE   | M             | P.F.        | 0.62 | CODE       | K       | P.F.        | 0.69 | ODE BEARING           |      | 6205-ZZ             |       |             |  |                 |     |   |
| EFF  | 82.5          | MIN         | 80.0 | EFF        | 80.5    | MIN         | 78   | LUB: Mobil Polyrex EM |      |                     |       |             |  |                 |     |   |
| MOTOR WEIGHT   |               | 60          | LBS  | CONNECTION |         | 9 Lead 2Y/Y |      | SER NO                |      |                     |       |             |  |                 |     |   |
| <p>General purpose use on industrial machinery installed in damp, dusty or dirty environments.</p> <p>Hernando, Mississippi</p> <p>CC 082A</p> |               |             |      |            |         |             |      |                       |      |                     |       |             |  |                 |     |   |

**APPLICATIONS:**

General purpose use on pumps, fans, blowers, compressors, conveyors, material handling and other industrial machinery installed in damp, dusty or dirty environments.