



PE587UZ-500-4C

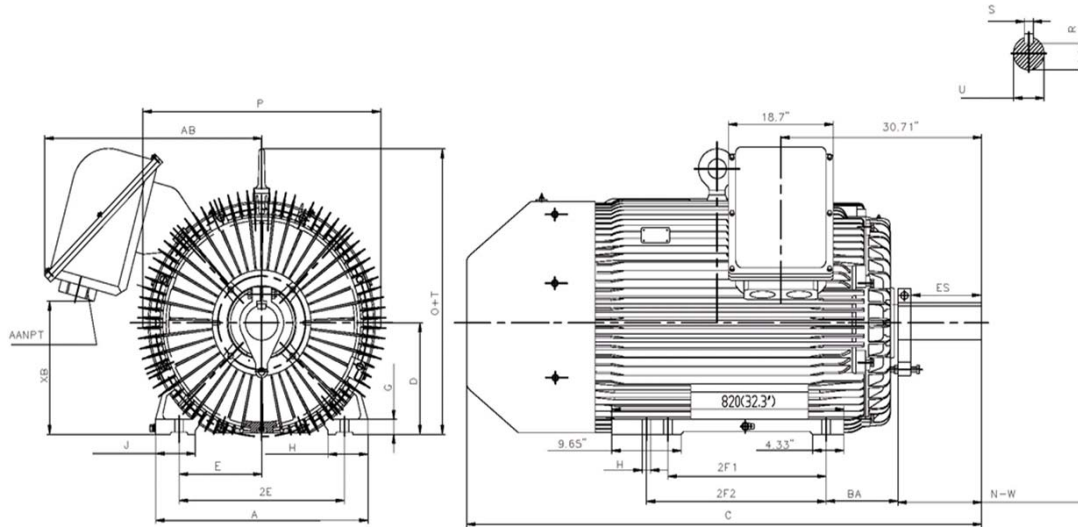
CRUSHER DUTY MOTOR

HIGH TORQUE / PREMIUM EFFICIENCY DESIGN

TOTALLY ENCLOSED FAN COOLED

HEAVY DUTY CAST IRON CONSTRUCTION

Factory Certified for T2B Class I, Division II, Groups A,B,C & D and Class II, Division II, Groups F & G



DIMENSIONS

HP	RPM	Frame	MOUNTING														
			A	B	C	D	G	H	J	E	2E	2F1	2F2	O	P	T	BA
500	1800	587UZ	29.53	32.38	71.65	14.50	1.97	1.13	5.51	11.50	23.00	22.00	25.00	41.36	33.07	5.88	10.00

Shaft Extension, Key Set				Conduit Box		Bearings		Mount		
U	V	R	S	ES	N-W	AA	AB		DE	ODE
4.375	11.25	3.817	1.00	10.00	11.63	2 X 3"	28.15	NU324	6319	F1

BEARING LUBRICATION: The bearings come lubricated with Mobil Polyrex EM Polyurea Grease. It is recommended that you add some additional lubrication when the motor is installed.

Three options (brands) for suitable lubrication include, but are not limited to, the following:

- 1.) Mobil Polyrex EM
- 2.) Citco Polyurea MP
- 3.) Conoco Phillips Polytac EP





PE587UZ-500-4C

**CRUSHER DUTY MOTOR
HIGH TORQUE / PREMIUM EFFICIENCY DESIGN
TOTALLY ENCLOSED FAN COOLED
HEAVY DUTY CAST IRON CONSTRUCTION**

Factory Certified for T2B Class I, Division II, Groups A,B,C & D and Class II, Division II, Groups F & G

PERFORMANCE DATA

HP	RPM	Frame	Voltage	Frequency (Hz)	Full Load S.F.	Insulation Class	NEMA Design	Slip (%)	NEMA Code	Enclosure Type	IP Rating	Max. Ambient
500	1790	587UZ	460	60	1.15	F	C	0.6	G	TEFC	55	40° C

Amps (460V)		Efficiency (%)				Power Factor			Torque (ft-lb)			DE Bearing	ODE Bearing	Connection	Weight (lbs.)
FLA	LRA	100%	75%	50%	Min.	100%	75%	50%	FLT	LRT %	BDT %	NU324	6319	12 Lead Δ	5687
558.1	3625	96.2	95.8	95.4	95.4	0.895	0.887	0.856	2001	200	275				

NAME PLATE

<p align="center">CRUSHER DUTY MOTOR</p>						<p align="center">CONNECTION DIAGRAMS</p>											
CAT NO:		PE587UZ-500-4C		FRAME		587UZ		PHASE		3		<p align="center">Across The Line</p>					
DE BRG		NU324		ODE BRG		6319		CONN.		12 Lead Δ							
MAX AMB.		40° C		INS. CLASS		F		RATING		CONT		WEIGHT		5687			
LUBRICATION			Mobil Polyrex EM			SER						<p align="center">PWS Run</p>					
60 HERTZ DATA	HP		500		RPM		1790		HP		500		RPM		1491		50 HERTZ DATA
	VOLTS				460				VOLTS				380				
	F.L. AMPS				558.1				F.L. AMPS				675.6				
	S.F. AMPS				641.8				S.F. AMPS				675.6				
	S.F. 1.15 DESIGN C CODE G				S.F. 1.0 DESIGN C CODE H												
	NEMA NOM.EFF.		96.2 %		NOM. P.F.		0.895		NEMA NOM.EFF.		95.1 %		NOM. P.F.		0.895		
NEMA MIN.EFF.		95.4 %		MAX. KVAR		88.6		NEMA MIN.EFF.		94.4 %		MAX. KVAR		92.3			
<p>Designed specifically for use on crushing and pulverizing equipment and other equipment requiring extremely high starting torques and breakdown torques.</p>												<p align="right">CC041B</p>					
<p align="center">Hernando, MS 38632</p>																	

APPLICATIONS:

Special purpose use on crushing and pulverizing equipment and other industrial equipment requiring extremely high starting torques and breakdown torques.