

PE587U-400-6C

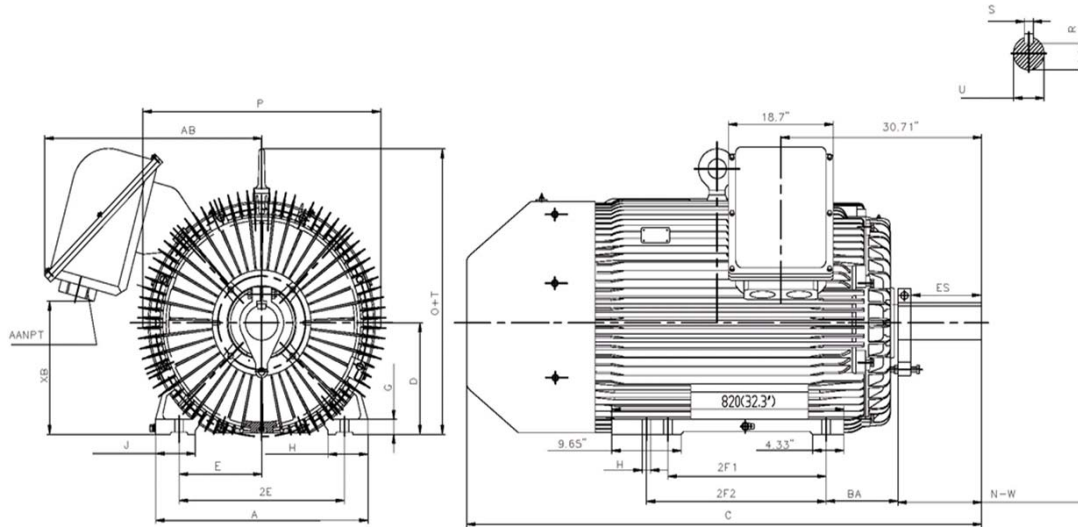
CRUSHER DUTY MOTOR

HIGH TORQUE / PREMIUM EFFICIENCY DESIGN

TOTALLY ENCLOSED FAN COOLED

HEAVY DUTY CAST IRON CONSTRUCTION

Factory Certified for T2B Class I, Division II, Groups A,B,C & D and Class II, Division II, Groups F & G



DIMENSIONS

HP	RPM	Frame	MOUNTING														
			A	B	C	D	G	H	J	E	2E	2F1	2F2	O	P	T	BA
400	1200	587U	29.53	32.38	71.65	14.50	1.97	1.13	5.51	11.50	23.00	22.00	25.00	41.36	33.07	5.88	10.00

Shaft Extension, Key Set						Conduit Box		Bearings		Mount
U	V	R	S	ES	N-W	AA	AB	DE	ODE	
3.875	11.25	3.817	1.00	10.00	11.63	2 X 3"	28.15	NU324	6319	F1

BEARING LUBRICATION: The bearings come lubricated with Mobil Polyrex EM Polyurea Grease. It is recommended that you add some additional lubrication when the motor is installed.

Three options (brands) for suitable lubrication include, but are not limited to, the following:

- 1.) Mobil Polyrex EM
- 2.) Citco Polyurea MP
- 3.) Conoco Phillips Polytac EP





PE587U-400-6C

CRUSHER DUTY MOTOR
HIGH TORQUE / PREMIUM EFFICIENCY DESIGN
TOTALLY ENCLOSED FAN COOLED
HEAVY DUTY CAST IRON CONSTRUCTION

Factory Certified for T2B Class I, Division II, Groups A,B,C & D and Class II, Division II, Groups F & G

PERFORMANCE DATA

HP	RPM	Frame	Voltage	Frequency (Hz)	Full Load S.F.	Insulation Class	NEMA Design	Slip (%)	NEMA Code	Enclosure Type	IP Rating	Max. Ambient
400	1189	587U	460	60	1.15	F	C	0.9	G	TEFC	55	40° C

Amps (460V)		Efficiency (%)				Power Factor			Torque (ft-lb)			DE Bearing	ODE Bearing	Connection	Weight (lbs.)
FLA	LRA	100%	75%	50%	Min.	100%	75%	50%	FLT	LRT %	BDT %				
448.6	2900	95.8	95.5	95.0	95.0	0.859	0.833	0.767	2411	200	230	NU324	6319	12 Lead Δ	5940

NAME PLATE

						CRUSHER DUTY MOTOR			CONNECTION DIAGRAMS								
CAT NO:		PE587U-400-6C		FRAME		587U		PHASE		3		Across The Line					
DE BRG		NU324		ODE BRG		6319		CONN.		12 Lead Δ							
MAX AMB.		40° C		INS. CLASS		F		RATING		CONT		WEIGHT		5940			
LUBRICATION			Mobil Polyrex EM			SER						PWS Start					
60 HERTZ DATA	HP		400		RPM		1189		HP		400		RPM		990		50 HERTZ DATA
	VOLTS		460		VOLTS		380										
	F.L. AMPS		448.6		F.L. AMPS		543.0					PWS Run					
	S.F. AMPS		515.9		S.F. AMPS		543.0										
	S.F. 1.15 DESIGN C CODE G				S.F. 1.0 DESIGN C CODE H												
	NEMA NOM.EFF. 95.8 %				NEMA NOM.EFF. 95.0 %				NEMA NOM.EFF. 95.0 %				NEMA NOM.EFF. 0.859				
NEMA MIN.EFF. 95.0 %				MAX. KVAR 64.7				NEMA MIN.EFF. 94.3 %				MAX. KVAR 66.2					
Designed specifically for use on crushing and pulverizing equipment and other equipment requiring extremely high starting torques and breakdown torques.												CC041B					

APPLICATIONS:

Special purpose use on crushing and pulverizing equipment and other industrial equipment requiring extremely high starting torques and breakdown torques.