

PE587U-300-8C

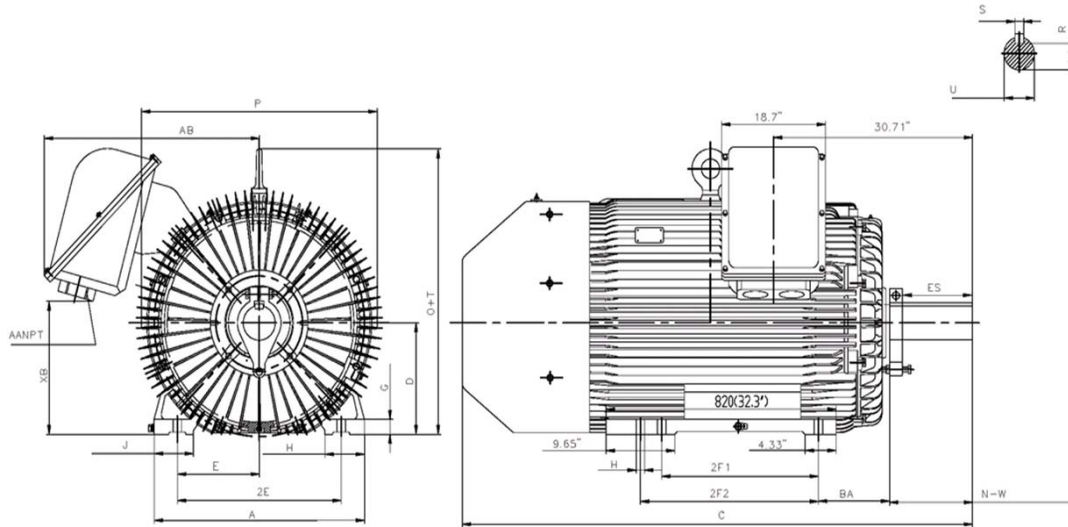
CRUSHER DUTY MOTOR

HIGH TORQUE / HIGH EFFICIENCY DESIGN

TOTALLY ENCLOSED FAN COOLED

HEAVY DUTY CAST IRON CONSTRUCTION

Factory Certified for T2B Class I, Division II, Groups A,B,C & D and Class II, Division II, Groups F & G



DIMENSIONS

HP	RPM	Frame	MOUNTING														
			A	B	C	D	G	H	J	E	2E	2F1	2F2	O	P	T	BA
300	900	587U	29.53	32.38	71.65	14.50	1.97	1.13	5.51	11.50	23.00	22.00	25.00	41.36	33.07	5.88	10.00

Shaft Extension, Key Set				Conduit Box		Bearings		Mount		
U	V	R	S	ES	N-W	AA	AB		DE	ODE
3.875	11.25	3.817	1.00	10.00	11.63	2 X 3"	28.15	NU324	6319	F1

BEARING LUBRICATION: The bearings come lubricated with Mobil Polyrex EM Polyurea Grease. It is recommended that you add some additional lubrication when the motor is installed.

Three options (brands) for suitable lubrication include, but are not limited to, the following:

- 1.) Mobil Polyrex EM
- 2.) Citco Polyurea MP
- 3.) Conoco Phillips Polytac EP





PE587U-300-8C

CRUSHER DUTY MOTOR
HIGH TORQUE / HIGH EFFICIENCY DESIGN
TOTALLY ENCLOSED FAN COOLED
HEAVY DUTY CAST IRON CONSTRUCTION

Factory Certified for T2B Class I, Division II, Groups A,B,C & D and Class II, Division II, Groups F & G

PERFORMANCE DATA

HP	RPM	Frame	Voltage	Frequency (Hz)	Full Load S.F.	Insulation Class	NEMA Design	Slip (%)	NEMA Code	Enclosure Type	IP Rating	Max. Ambient
300	890	587U	460	60	1.15	F	C	1.1	G	TEFC	55	40° C

Amps (460V)		Efficiency (%)				Power Factor			Torque (ft-lb)			DE Bearing	ODE Bearing	Connection	Weight (lbs.)
FLA	LRA	100%	75%	50%	Min.	100%	75%	50%	FLT	LRT %	BDT %				
360.5	2200	94.5	94.0	93.5	93.6	0.793	0.755	0.669	2360	200	230	NU324	6319	12 Lead Δ	5940

NAME PLATE

North American Electric, Inc.										HIGH EFFICIENCY DESIGN							
CRUSHER DUTY MOTOR										CONNECTION DIAGRAMS							
CAT NO: PE587U-300-8C			FRAME 587U			PHASE 3				Across The Line 							
DE BRG NU324		ODE BRG 6319		CONN. 12 Lead Δ						PWS Start 							
MAX AMB. 40° C		INS. CLASS F		RATING CONT		WEIGHT 5940						PWS Run 					
LUBRICATION Mobil Polyrex EM			SER														
60 HERTZ DATA	HP 300		RPM 890		HP 300		RPM 741			50 HERTZ DATA							
	VOLTS 460				VOLTS 380												
	F.L. AMPS 360.5				F.L. AMPS 436.4												
	S.F. AMPS 414.6				S.F. AMPS 436.4												
	S.F. 1.15 DESIGN C CODE G				S.F. 1.0 DESIGN C CODE H												
	NEMA NOM.EFF. 94.5 %		NOM. P.F. 0.793		NEMA NOM.EFF. 94.8 %		NOM. P.F. 0.793										
NEMA MIN.EFF. 93.6 %		MAX. KVAR 68.9		NEMA MIN.EFF. 94.0 %		MAX. KVAR 70.5											
Designed specifically for use on crushing and pulverizing equipment and other equipment requiring extremely high starting torques and breakdown torques.																CC041B	
Hernando, MS 38632																	

APPLICATIONS:

Special purpose use on crushing and pulverizing equipment and other industrial equipment requiring extremely high starting torques and breakdown torques.