

PE587UZ-300-6C

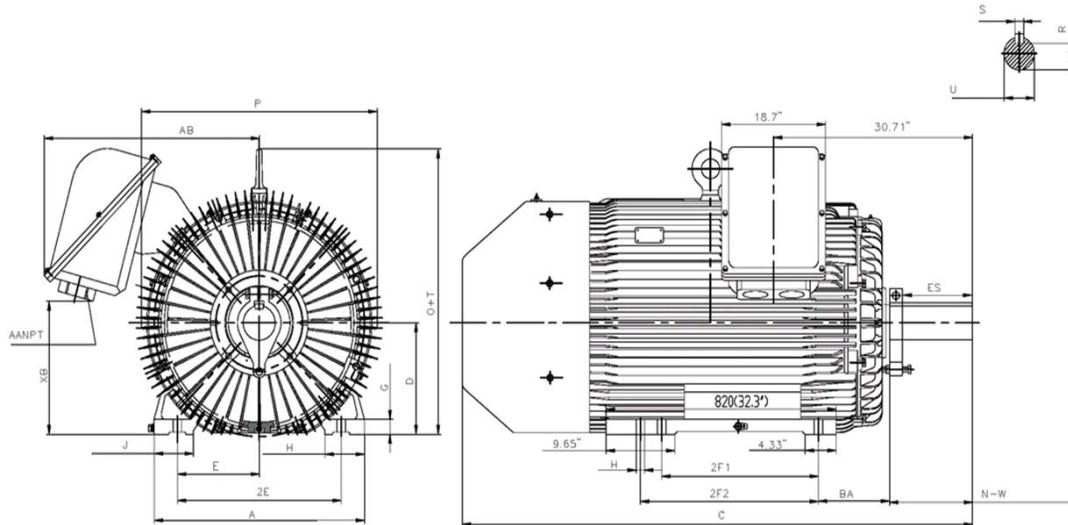
CRUSHER DUTY MOTOR

HIGH TORQUE / HIGH EFFICIENCY DESIGN

TOTALLY ENCLOSED FAN COOLED

HEAVY DUTY CAST IRON CONSTRUCTION

Factory Certified for T2B Class I, Division II, Groups A,B,C & D and Class II, Division II, Groups F & G



DIMENSIONS

HP	RPM	Frame	MOUNTING														
			A	B	C	D	G	H	J	E	2E	2F1	2F2	O	P	T	BA
300	1200	587UZ	29.53	32.38	71.65	14.50	1.97	1.13	5.51	11.50	23.00	22.00	25.00	41.36	33.07	5.88	10.00

Shaft Extension, Key Set				Conduit Box		Bearings		Mount		
U	V	R	S	ES	N-W	AA	AB		DE	ODE
4.375	11.25	3.817	1.00	10.00	11.63	2 X 3"	28.15	NU324	6319	F1

BEARING LUBRICATION: The bearings come lubricated with Mobil Polyrex EM Polyurea Grease. It is recommended that you add some additional lubrication when the motor is installed.

Three options (brands) for suitable lubrication include, but are not limited to, the following:

- 1.) Mobil Polyrex EM
- 2.) Citco Polyurea MP
- 3.) Conoco Phillips Polytac EP





PE587UZ-300-6C

CRUSHER DUTY MOTOR
HIGH TORQUE / HIGH EFFICIENCY DESIGN
TOTALLY ENCLOSED FAN COOLED
HEAVY DUTY CAST IRON CONSTRUCTION

Factory Certified for T2B Class I, Division II, Groups A,B,C & D and Class II, Division II, Groups F & G

PERFORMANCE DATA

HP	RPM	Frame	Voltage	Frequency (Hz)	Full Load S.F.	Insulation Class	NEMA Design	Slip (%)	NEMA Code	Enclosure Type	IP Rating	Max. Ambient
300	1188	587UZ	460	60	1.15	F	C	1.0	G	TEFC	55	40° C

Amps (460V)		Efficiency (%)				Power Factor			Torque (ft-lb)			DE Bearing	ODE Bearing	Connection	Weight (lbs.)
FLA	LRA	100%	75%	50%	Min.	100%	75%	50%	FLT	LRT %	BDT %				
332.0	2200	95.0	94.5	94.0	94.1	0.845	0.822	0.763	1768	200	230	NU324	6319	12 Lead Δ	5331

NAME PLATE

North American Electric, Inc. HIGH EFFICIENCY DESIGN										CONNECTION DIAGRAMS Across The Line 		
CAT NO: PE587UZ-300-6C			FRAME 587UZ			PHASE 3						
DE BRG NU324		ODE BRG 6319			CONN. 12 Lead Δ							
MAX AMB. 40° C		INS. CLASS F		RATING CONT		WEIGHT 5331						
LUBRICATION Mobil Polyrex EM				SER								
60 HERTZ DATA	HP 300		RPM 1188		HP 300		RPM 990		50 HERTZ DATA	PWS Start 		
	VOLTS 460				VOLTS 380							
	F.L. AMPS 332.0				F.L. AMPS 401.9							
	S.F. AMPS 381.8				S.F. AMPS 401.9							
	S.F. 1.15 DESIGN C CODE G				S.F. 1.0 DESIGN C CODE H							
	NEMA NOM.EFF. 95.0 %		NOM. P.F. 0.845		NEMA NOM.EFF. 95.0 %		NOM. P.F. 0.845					
NEMA MIN.EFF. 94.1 %		MAX. KVAR 49.2		NEMA MIN.EFF. 94.3 %		MAX. KVAR 52.3		PWS Run 				
Designed specifically for use on crushing and pulverizing equipment and other equipment requiring extremely high starting torques and breakdown torques.												
CC041B Hernando, MS 38632												

APPLICATIONS:

Special purpose use on crushing and pulverizing equipment and other industrial equipment requiring extremely high starting torques and breakdown torques.