

PE587U-300-4C

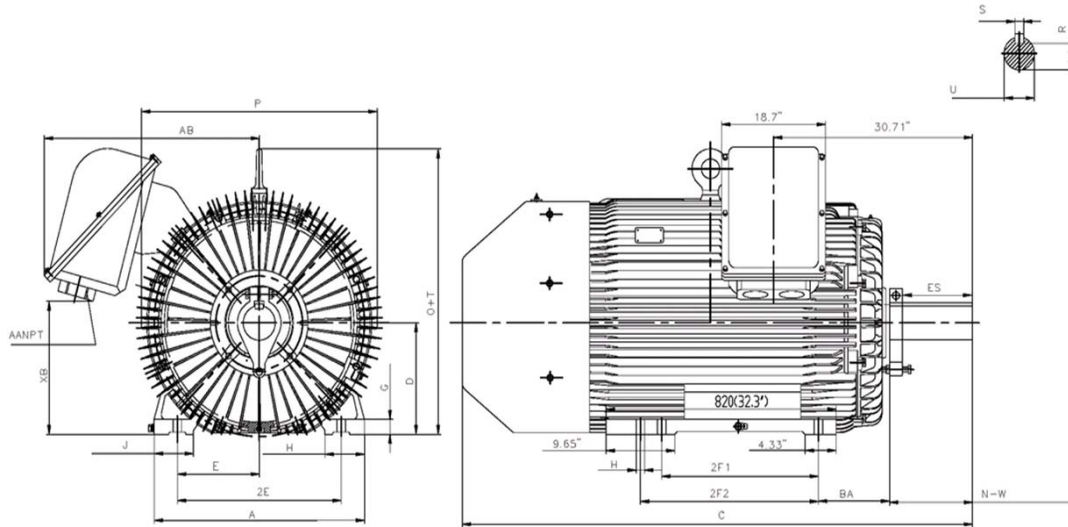
CRUSHER DUTY MOTOR

HIGH TORQUE / HIGH EFFICIENCY DESIGN

TOTALLY ENCLOSED FAN COOLED

HEAVY DUTY CAST IRON CONSTRUCTION

Factory Certified for T2B Class I, Division II, Groups A,B,C & D and Class II, Division II, Groups F & G



DIMENSIONS

HP	RPM	Frame	MOUNTING														
			A	B	C	D	G	H	J	E	2E	2F1	2F2	O	P	T	BA
300	1800	587U	29.53	32.38	71.65	14.50	1.97	1.13	5.51	11.50	23.00	22.00	25.00	41.36	33.07	5.88	10.00

Shaft Extension, Key Set				Conduit Box		Bearings		Mount		
U	V	R	S	ES	N-W	AA	AB		DE	ODE
3.875	11.25	3.817	1.00	10.00	11.63	2 X 3"	28.15	NU324	6319	F1

BEARING LUBRICATION: The bearings come lubricated with Mobil Polyrex EM Polyurea Grease. It is recommended that you add some additional lubrication when the motor is installed.

Three options (brands) for suitable lubrication include, but are not limited to, the following:

- 1.) Mobil Polyrex EM
- 2.) Citco Polyurea MP
- 3.) Conoco Phillips Polytac EP





PE587U-300-4C

CRUSHER DUTY MOTOR
HIGH TORQUE / HIGH EFFICIENCY DESIGN
TOTALLY ENCLOSED FAN COOLED
HEAVY DUTY CAST IRON CONSTRUCTION

Factory Certified for T2B Class I, Division II, Groups A,B,C & D and Class II, Division II, Groups F & G

PERFORMANCE DATA

HP	RPM	Frame	Voltage	Frequency (Hz)	Full Load S.F.	Insulation Class	NEMA Design	Slip (%)	NEMA Code	Enclosure Type	IP Rating	Max. Ambient
300	1788	587U	460	60	1.15	F	C	0.7	G	TEFC	55	40° C

Amps (460V)		Efficiency (%)				Power Factor			Torque (ft-lb)			DE Bearing	ODE Bearing	Connection	Weight (lbs.)
FLA	LRA	100%	75%	50%	Min.	100%	75%	50%	FLT	LRT %	BDT %	NU324	6319	12 Lead Δ	4616
322.3	2200	95.4	95.0	94.6	94.5	0.885	0.844	0.813	1175	200	250				

NAME PLATE

North American Electric, Inc.										HIGH EFFICIENCY DESIGN							
CRUSHER DUTY MOTOR															CONNECTION DIAGRAMS		
CAT NO: PE587U-300-4C				FRAME 587U				PHASE 3				Across The Line					
DE BRG NU324			ODE BRG 6319			CONN. 12 Lead Δ											
MAX AMB. 40° C			INS. CLASS F		RATING CONT		WEIGHT 4616						PWS Start				
LUBRICATION Mobil Polyrex EM				SER				50 HERTZ DATA									
HP 300		RPM 1788		HP 300		RPM 1490					60 HERTZ DATA			PWS Run			
VOLTS 460				VOLTS 380													
F.L. AMPS 322.3				F.L. AMPS 390.2													
S.F. AMPS 370.6				S.F. AMPS 390.2													
S.F. 1.15 DESIGN C CODE G				S.F. 1.0 DESIGN C CODE H													
NEMA NOM.EFF. 95.4 %		NOM. P.F. 0.885		NEMA NOM.EFF. 95.1 %		NOM. P.F. 0.885											
NEMA MIN.EFF. 94.5 %		MAX. KVAR 38.6		NEMA MIN.EFF. 94.4 %		MAX. KVAR 41.2											
Designed specifically for use on crushing and pulverizing equipment and other equipment requiring extremely high starting torques and breakdown torques.																CC041B	
Hernando, MS 38632																	

APPLICATIONS:

Special purpose use on crushing and pulverizing equipment and other industrial equipment requiring extremely high starting torques and breakdown torques.