

## PE587UZ-300-4C

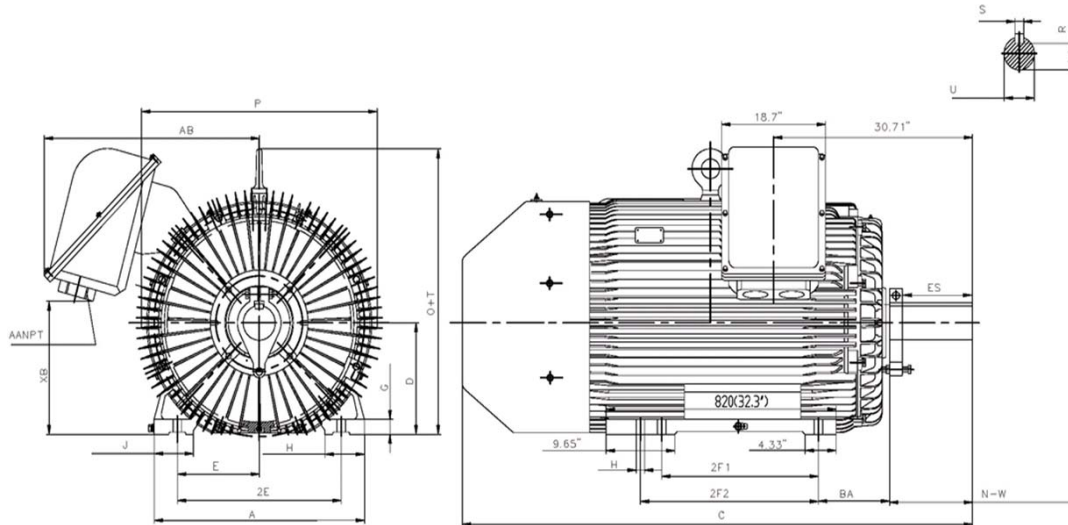
CRUSHER DUTY MOTOR

HIGH TORQUE / HIGH EFFICIENCY DESIGN

TOTALLY ENCLOSED FAN COOLED

HEAVY DUTY CAST IRON CONSTRUCTION

Factory Certified for T2B Class I, Division II, Groups A,B,C & D and Class II, Division II, Groups F & G



### DIMENSIONS

HP	RPM	Frame	MOUNTING														
			A	B	C	D	G	H	J	E	2E	2F1	2F2	O	P	T	BA
300	1800	587UZ	29.53	32.38	71.65	14.50	1.97	1.13	5.51	11.50	23.00	22.00	25.00	41.36	33.07	5.88	10.00

Shaft Extension, Key Set						Conduit Box		Bearings		Mount
U	V	R	S	ES	N-W	AA	AB	DE	ODE	
4.375	11.25	3.817	1.00	10.00	11.63	2 X 3"	28.15	NU324	6319	F1

**BEARING LUBRICATION:** The bearings come lubricated with Mobil Polyrex EM Polyurea Grease. It is recommended that you add some additional lubrication when the motor is installed.

Three options (brands) for suitable lubrication include, but are not limited to, the following:

- 1.) Mobil Polyrex EM
- 2.) Citco Polyurea MP
- 3.) Conoco Phillips Polytac EP





## PE587UZ-300-4C

**CRUSHER DUTY MOTOR**  
**HIGH TORQUE / HIGH EFFICIENCY DESIGN**  
**TOTALLY ENCLOSED FAN COOLED**  
**HEAVY DUTY CAST IRON CONSTRUCTION**

Factory Certified for T2B Class I, Division II, Groups A,B,C & D and Class II, Division II, Groups F & G

### PERFORMANCE DATA

HP	RPM	Frame	Voltage	Frequency (Hz)	Full Load S.F.	Insulation Class	NEMA Design	Slip (%)	NEMA Code	Enclosure Type	IP Rating	Max. Ambient
300	1788	587UZ	460	60	1.15	F	C	0.7	G	TEFC	55	40° C

Amps (460V)		Efficiency (%)				Power Factor			Torque (ft-lb)			DE Bearing	ODE Bearing	Connection	Weight (lbs.)
FLA	LRA	100%	75%	50%	Min.	100%	75%	50%	FLT	LRT %	BDT %				
322.3	2200	95.4	95.0	94.6	94.5	0.885	0.844	0.813	1175	200	250	NU324	6319	12 Lead Δ	4616

### NAME PLATE

<b>North American Electric, Inc. HIGH EFFICIENCY DESIGN</b>										<b>CONNECTION DIAGRAMS</b> <b>Across The Line</b> 		
<b>CRUSHER DUTY MOTOR</b>												
CAT NO: PE587UZ-300-4C			FRAME 587UZ			PHASE 3				<b>PWS Start</b> 		
DE BRG NU324		ODE BRG 6319		CONN. 12 Lead Δ								
MAX AMB. 40° C		INS. CLASS F		RATING CONT		WEIGHT 4616				<b>PWS Run</b> 		
LUBRICATION Mobil Polyrex EM			SER									
HP 300		RPM 1788		HP 300		RPM 1490						
VOLTS 460		VOLTS 380										
F.L. AMPS 322.3		F.L. AMPS 390.2										
S.F. AMPS 370.6		S.F. AMPS 390.2										
S.F. 1.15 DESIGN C CODE G		S.F. 1.0 DESIGN C CODE H										
NEMA NOM.EFF. 95.4 %		NOM. P.F. 0.885		NEMA NOM.EFF. 95.1 %		NOM. P.F. 0.885						
NEMA MIN.EFF. 94.5 %		MAX. KVAR 38.6		NEMA MIN.EFF. 94.4 %		MAX. KVAR 41.2						
Designed specifically for use on crushing and pulverizing equipment and other equipment requiring extremely high starting torques and breakdown torques.										CC041B		
Hernando, MS 38632												

### APPLICATIONS:

Special purpose use on crushing and pulverizing equipment and other industrial equipment requiring extremely high starting torques and breakdown torques.