

PE587U-250-6C

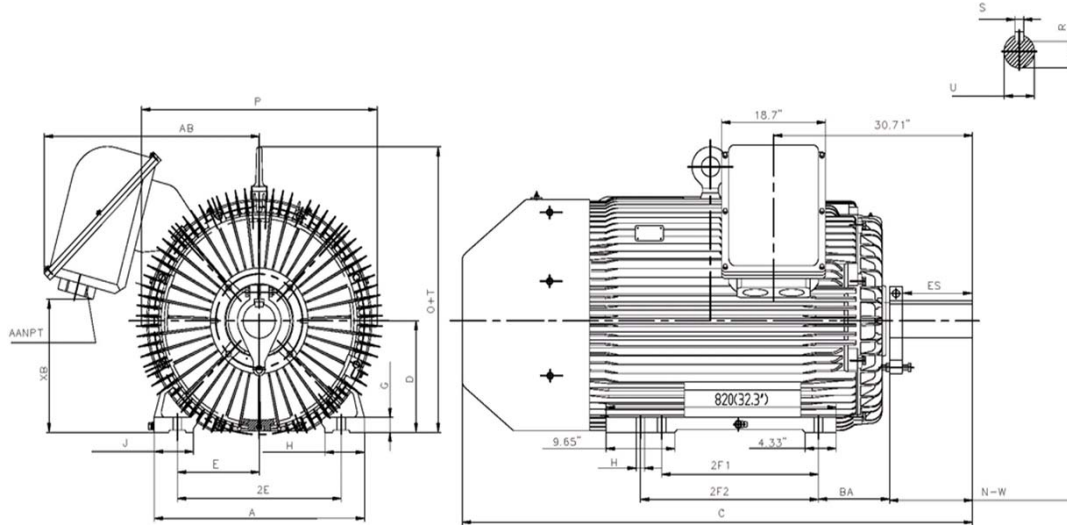
CRUSHER DUTY MOTOR

HIGH TORQUE / HIGH EFFICIENCY DESIGN

TOTALLY ENCLOSED FAN COOLED

HEAVY DUTY CAST IRON CONSTRUCTION

Factory Certified for T2B Class I, Division II, Groups A,B,C & D and Class II, Division II, Groups F & G



DIMENSIONS

HP	RPM	Frame	MOUNTING														
			A	B	C	D	G	H	J	E	2E	2F1	2F2	O	P	T	BA
250	1200	587U	29.53	32.38	71.65	14.50	1.97	1.13	5.51	11.50	23.00	22.00	25.00	41.36	33.07	5.88	10.00

Shaft Extension, Key Set				Conduit Box		Bearings		Mount		
U	V	R	S	ES	N-W	AA	AB		DE	ODE
3.875	11.25	3.817	1.00	10.00	11.63	2 X 3"	28.15	NU324	6319	F1

BEARING LUBRICATION: The bearings come lubricated with Mobil Polyrex EM Polyurea Grease. It is recommended that you add some additional lubrication when the motor is installed.

Three options (brands) for suitable lubrication include, but are not limited to, the following:

- 1.) Mobil Polyrex EM
- 2.) Citco Polyurea MP
- 3.) Conoco Phillips Polytac EP





PE587U-250-6C

CRUSHER DUTY MOTOR
HIGH TORQUE / HIGH EFFICIENCY DESIGN
TOTALLY ENCLOSED FAN COOLED
HEAVY DUTY CAST IRON CONSTRUCTION

Factory Certified for T2B Class I, Division II, Groups A,B,C & D and Class II, Division II, Groups F & G

PERFORMANCE DATA

HP	RPM	Frame	Voltage	Frequency (Hz)	Full Load S.F.	Insulation Class	NEMA Design	Slip (%)	NEMA Code	Enclosure Type	IP Rating	Max. Ambient
250	1189	587U	460	60	1.15	F	C	0.9	G	TEFC	55	40° C

Amps (460V)		Efficiency (%)				Power Factor			Torque (ft-lb)			DE Bearing	ODE Bearing	Connection	Weight (lbs.)
FLA	LRA	100%	75%	50%	Min.	100%	75%	50%	FLT	LRT %	BDT %	NU324	6319	12 Lead Δ	5205
281.6	1825	95.0	94.5	94.0	94.1	0.847	0.816	0.750	1485	200	230				

NAME PLATE

North American Electric, Inc. HIGH EFFICIENCY DESIGN										CONNECTION DIAGRAMS Across The Line 				
CAT NO: PE587U-250-6C			FRAME 587U			PHASE 3								
DE BRG NU324		ODE BRG 6319		CONN. 12 Lead Δ										
MAX AMB. 40° C		INS. CLASS F		RATING CONT		WEIGHT 5205								
LUBRICATION Mobil Polyrex EM				SER										
60 HERTZ DATA	HP 250		RPM 1189		HP 250		RPM 990				50 HERTZ DATA	PWS Start 		
	VOLTS 460				VOLTS 380									
	F.L. AMPS 281.6				F.L. AMPS 340.9									
	S.F. AMPS 323.8				S.F. AMPS 340.9									
	S.F. 1.15 DESIGN C CODE G				S.F. 1.0 DESIGN C CODE H									
	NEMA NOM.EFF. 95.0 %		NOM. P.F. 0.847		NEMA NOM.EFF. 94.8 %		NOM. P.F. 0.847					PWS Run 		
NEMA MIN.EFF. 94.1 %		MAX. KVAR 44.8		NEMA MIN.EFF. 94.0 %		MAX. KVAR 46.3								
Designed specifically for use on crushing and pulverizing equipment and other equipment requiring extremely high starting torques and breakdown torques.										CC041B				
Hernando, MS 38632														

APPLICATIONS:

Special purpose use on crushing and pulverizing equipment and other industrial equipment requiring extremely high starting torques and breakdown torques.