

## PE587UZ-250-6C

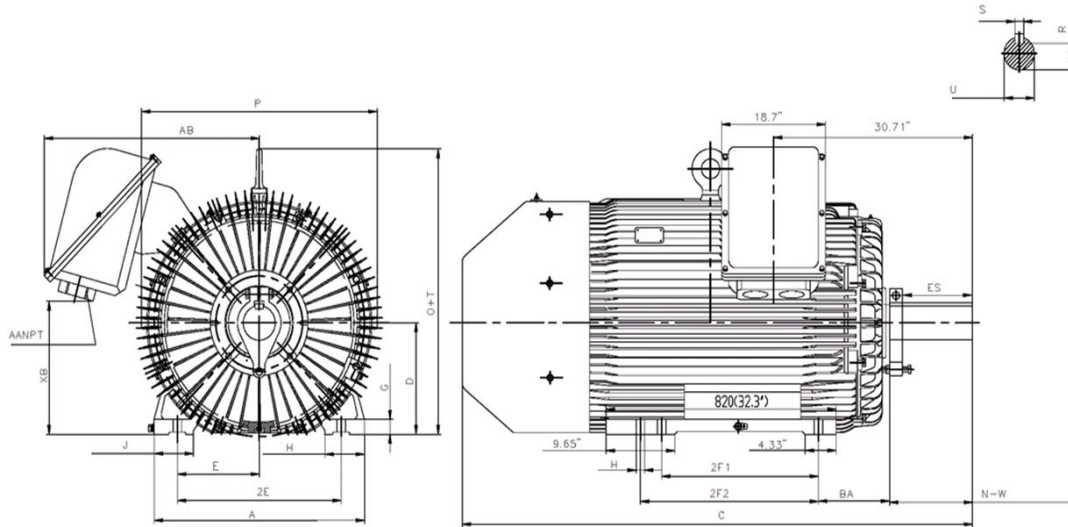
CRUSHER DUTY MOTOR

HIGH TORQUE / HIGH EFFICIENCY DESIGN

TOTALLY ENCLOSED FAN COOLED

HEAVY DUTY CAST IRON CONSTRUCTION

Factory Certified for T2B Class I, Division II, Groups A,B,C & D and Class II, Division II, Groups F & G



### DIMENSIONS

HP	RPM	Frame	MOUNTING															
			A	B	C	D	G	H	J	E	2E	2F1	2F2	O	P	T	BA	
250	1200	587UZ	29.53	32.38	71.65	14.50	1.97	1.13	5.51	11.50	23.00	22.00	25.00	41.36	33.07	5.88	10.00	

Shaft Extension, Key Set						Conduit Box		Bearings		Mount
U	V	R	S	ES	N-W	AA	AB	DE	ODE	
4.375	11.25	3.817	1.00	10.00	11.63	2 X 3"	28.15	NU324	6319	F1

**BEARING LUBRICATION:** The bearings come lubricated with Mobil Polyrex EM Polyurea Grease. It is recommended that you add some additional lubrication when the motor is installed.

Three options (brands) for suitable lubrication include, but are not limited to, the following:

- 1.) Mobil Polyrex EM
- 2.) Citco Polyurea MP
- 3.) Conoco Phillips Polytac EP





## PE587UZ-250-6C

**CRUSHER DUTY MOTOR**  
**HIGH TORQUE / HIGH EFFICIENCY DESIGN**  
**TOTALLY ENCLOSED FAN COOLED**  
**HEAVY DUTY CAST IRON CONSTRUCTION**

Factory Certified for T2B Class I, Division II, Groups A,B,C & D and Class II, Division II, Groups F & G

### PERFORMANCE DATA

HP	RPM	Frame	Voltage	Frequency (Hz)	Full Load S.F.	Insulation Class	NEMA Design	Slip (%)	NEMA Code	Enclosure Type	IP Rating	Max. Ambient
250	1189	587UZ	460	60	1.15	F	C	0.9	G	TEFC	55	40° C

Amps (460V)		Efficiency (%)				Power Factor			Torque (ft-lb)			DE Bearing	ODE Bearing	Connection	Weight (lbs.)
FLA	LRA	100%	75%	50%	Min.	100%	75%	50%	FLT	LRT %	BDT %	NU324	6319	12 Lead Δ	5205
281.6	1825	95.0	94.5	94.0	94.1	0.847	0.816	0.750	1485	200	230				

### NAME PLATE

<b>North American Electric, Inc.</b>										<b>HIGH EFFICIENCY DESIGN</b>									
<b>CRUSHER DUTY MOTOR</b>															<b>CONNECTION DIAGRAMS</b>				
CAT NO: PE587UZ-250-6C					FRAME 587UZ					PHASE 3					<b>Across The Line</b> 				
DE BRG NU324			ODE BRG 6319			CONN. 12 Lead Δ													
MAX AMB. 40° C			INS. CLASS F			RATING CONT			WEIGHT 5205										
LUBRICATION Mobil Polyrex EM					SER														
<b>60 HERTZ DATA</b>					<b>50 HERTZ DATA</b>					<b>PWS Start</b> 									
HP 250		RPM 1189			HP 250		RPM 990												
VOLTS 460					VOLTS 380														
F.L. AMPS 281.6					F.L. AMPS 340.9														
S.F. AMPS 323.8					S.F. AMPS 340.9														
S.F. 1.15 DESIGN C CODE G					S.F. 1.0 DESIGN C CODE H														
NEMA NOM.EFF. 95.0 % NOM. P.F. 0.847					NEMA NOM.EFF. 94.8 % NOM. P.F. 0.847														
NEMA MIN.EFF. 94.1 % MAX. KVAR 44.8					NEMA MIN.EFF. 94.0 % MAX. KVAR 46.3														
Designed specifically for use on crushing and pulverizing equipment and other equipment requiring extremely high starting torques and breakdown torques.																			
CC041B																			
Hernando, MS 38632																			
<b>60 HERTZ DATA</b>					<b>50 HERTZ DATA</b>					<b>PWS Run</b> 									

### APPLICATIONS:

Special purpose use on crushing and pulverizing equipment and other industrial equipment requiring extremely high starting torques and breakdown torques.