

**PE184T-5-4C**

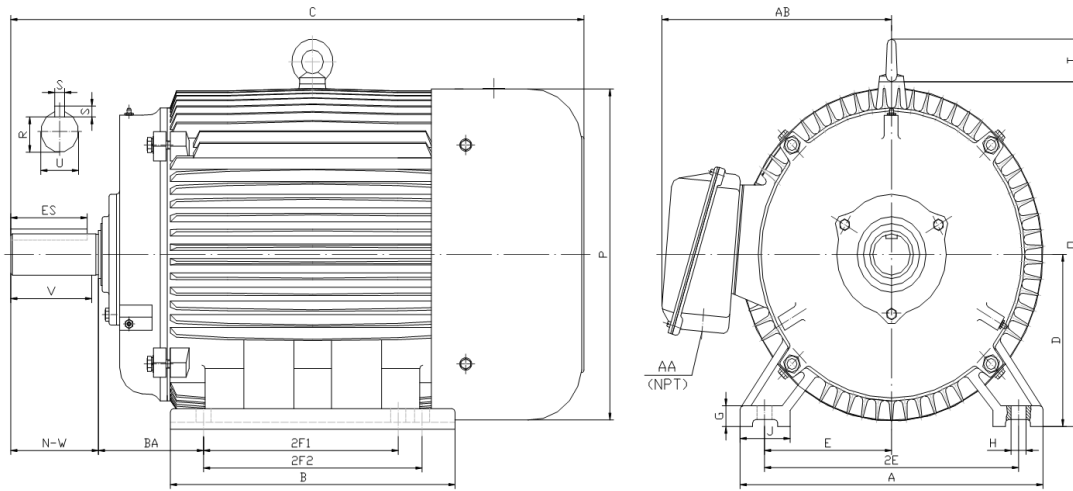
**GENERAL PURPOSE ELECTRIC MOTOR**

**NEMA PREMIUM EFFICIENCY**

**TOTALLY ENCLOSED FAN COOLED**

**INVERTER DUTY 10:1 CT; 20:1 VT - NEMA MG1 PART 31**

Factory Certified for T2B Class I, Division II, Groups A,B,C & D and Class II, Division II, Groups F & G



**DIMENSIONS**

HP	RPM	Frame	MOUNTING														
			A	B	C	D	G	H	J	E	2E	2F1	2F2	O	P	T	BA
5	1800	184T	9.50	8.30	17.10	4.50	0.60	0.41	2.00	3.75	7.50	4.50	5.50	9.10	8.70	1.60	2.75

Shaft Extension, Key Set						Conduit Box		Bearings		Mount
U	V	R	S	ES	N-W	AA	AB	DE	ODE	
1.125	2.50	0.986	0.250	1.78	2.75	0.75	7.50	6306-ZZ	6306-ZZ	F1

**BEARING LUBRICATION:** The bearings come lubricated with Mobil Polyrex EM Polyurea Grease.





**PE184T-5-4C**

**GENERAL PURPOSE ELECTRIC MOTOR**

**NEMA PREMIUM EFFICIENCY**

**TOTALLY ENCLOSED FAN COOLED**

**INVERTER DUTY 10:1 CT; 20:1 VT - NEMA MG1 PART 31**

Factory Certified for T2B Class I, Division II, Groups A,B,C & D and Class II, Division II, Groups F & G

**PERFORMANCE DATA**

HP	RPM	Frame	Voltage	Frequency (Hz)	Full Load S.F.	Insulation Class	NEMA Design	Slip (%)	NEMA Code	Enclosure Type	IP Rating	Max. Ambient
5	1760	184T	208-230/460	60	1.15	F	C	2.2	J	TEFC	55	40° C

Amps (460V)		Efficiency (%)				Power Factor			Torque (ft-lb)			DE Bearing	ODE Bearing	Connection	Weight (lbs.)
FLA	LRA	100%	75%	50%	Min.	100%	75%	50%	FLT	LRT %	BDT %				
6.8	46	89.5	89.8	89.0	87.5	0.780	0.740	0.620	15.0	260	300	6306-ZZ	6306-ZZ	9 Lead 2Y/Y	103

**NAME PLATE**

										<p>CONNECTION DIAGRAMS</p> <p>208-230V</p>		
<p>INVERTER DUTY 20:1 VT; 10:1 CT</p>												
CAT NO: PE184T-5-4C			FRAME 184T			PHASE 3				<p>460V</p>		
HZ 60	S.F. 1.15	HZ 50	S.F. 1.0	ENCL TEFC	IP 55							
HP 5	RPM 1760	HP 5	RPM 1440	DUTY CONT	DES C							
VOLTS 208-230/460			VOLTS 190/380			AMB 40° C		INS F				
FLA 14 - 13.6 / 6.8			FLA 15.4/7.7			DE BEARING 6306-ZZ						
CODE J		P.F. 0.78	CODE H		P.F. 0.84	ODE BEARING 6306-ZZ						
EFF 89.5		MIN 87.5	EFF 87.5		MIN 85.5	LUB: Mobil Polyrex EM						
MOTOR WEIGHT 103 LBS		CONNECTION 9 Lead 2Y/Y			SER NO							
<p>General purpose use on industrial machinery installed in damp, dusty or dirty environments.</p> <p>Hernando, Mississippi</p> <p>CC 082A</p>												

**APPLICATIONS:**

General purpose use on pumps, fans, blowers, compressors, conveyors, material handling and other industrial machinery installed in damp, dusty or dirty environments.