

**PE587UZ-400-4C**

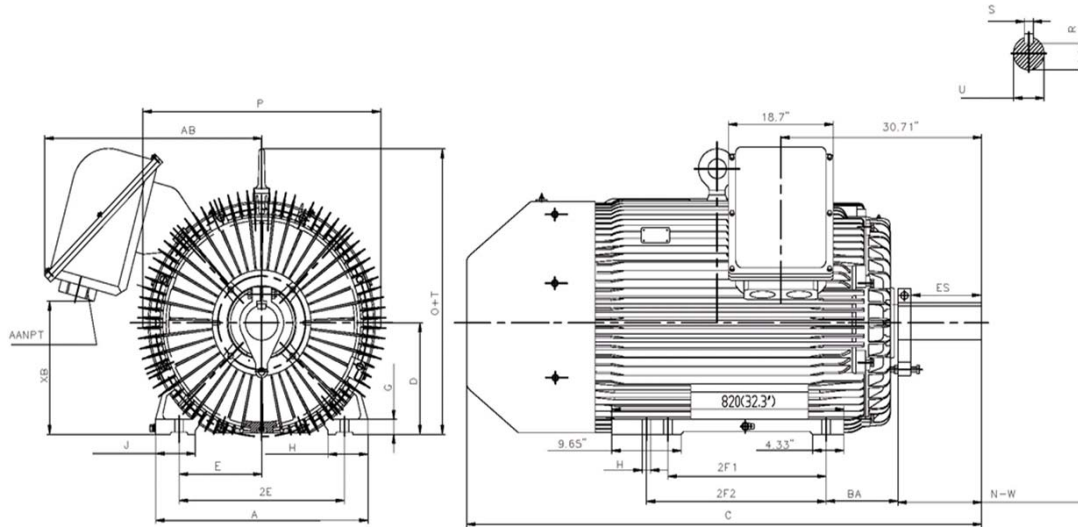
**CRUSHER DUTY MOTOR**

**HIGH TORQUE / PREMIUM EFFICIENCY DESIGN**

**TOTALLY ENCLOSED FAN COOLED**

**HEAVY DUTY CAST IRON CONSTRUCTION**

Factory Certified for T2B Class I, Division II, Groups A,B,C & D and Class II, Division II, Groups F & G



**DIMENSIONS**

HP	RPM	Frame	MOUNTING														
			A	B	C	D	G	H	J	E	2E	2F1	2F2	O	P	T	BA
400	1800	587UZ	29.53	32.38	71.65	14.50	1.97	1.13	5.51	11.50	23.00	22.00	25.00	41.36	33.07	5.88	10.00

Shaft Extension, Key Set				Conduit Box		Bearings		Mount		
U	V	R	S	ES	N-W	AA	AB		DE	ODE
4.375	11.25	3.817	1.00	10.00	11.63	2 X 3"	28.15	NU324	6319	F1

**BEARING LUBRICATION:** The bearings come lubricated with Mobil Polyrex EM Polyurea Grease. It is recommended that you add some additional lubrication when the motor is installed.

Three options (brands) for suitable lubrication include, but are not limited to, the following:

- 1.) Mobil Polyrex EM
- 2.) Citco Polyurea MP
- 3.) Conoco Phillips Polytac EP





## PE587UZ-400-4C

**CRUSHER DUTY MOTOR**  
**HIGH TORQUE / PREMIUM EFFICIENCY DESIGN**  
**TOTALLY ENCLOSED FAN COOLED**  
**HEAVY DUTY CAST IRON CONSTRUCTION**

Factory Certified for T2B Class I, Division II, Groups A,B,C & D and Class II, Division II, Groups F & G

### PERFORMANCE DATA

HP	RPM	Frame	Voltage	Frequency (Hz)	Full Load S.F.	Insulation Class	NEMA Design	Slip (%)	NEMA Code	Enclosure Type	IP Rating	Max. Ambient
400	1789	587UZ	460	60	1.15	F	C	0.6	G	TEFC	55	40° C

Amps (460V)		Efficiency (%)				Power Factor			Torque (ft-lb)			DE Bearing	ODE Bearing	Connection	Weight (lbs.)
FLA	LRA	100%	75%	50%	Min.	100%	75%	50%	FLT	LRT %	BDT %	NU324	6319	12 Lead Δ	4983
434.9	2900	96.2	95.9	95.3	95.4	0.887	0.862	0.842	1603	200	250				

### NAME PLATE

										<b>CONNECTION DIAGRAMS</b> <b>Across The Line</b> 					
CAT NO: PE587UZ-400-4C			FRAME 587UZ			PHASE 3									
DE BRG NU324		ODE BRG 6319		CONN. 12 Lead Δ				<b>PWS Start</b> 							
MAX AMB. 40° C		INS. CLASS F		RATING CONT		WEIGHT 4983									
LUBRICATION Mobil Polyrex EM				SER						<b>PWS Run</b> 					
HP 400		RPM 1789		HP 400		RPM 990									
VOLTS 460		VOLTS 380				<b>60 HERTZ DATA</b>									
F.L. AMPS 434.9		F.L. AMPS 526.5													
S.F. AMPS 500.1		S.F. AMPS 526.5													
S.F. 1.15 DESIGN C CODE G		S.F. 1.0 DESIGN C CODE H													
NEMA NOM.EFF. 96.2 %		NOM. P.F. 0.887		NEMA NOM.EFF. 95.1 %								NOM. P.F. 0.887			
NEMA MIN.EFF. 95.4 %		MAX. KVAR 45.3		NEMA MIN.EFF. 94.4 %								MAX. KVAR 48.2			
Designed specifically for use on crushing and pulverizing equipment and other equipment requiring extremely high starting torques and breakdown torques.										CC041B					
Hernando, MS 38632															

### APPLICATIONS:

Special purpose use on crushing and pulverizing equipment and other industrial equipment requiring extremely high starting torques and breakdown torques.