

**PE449T-300-6C**

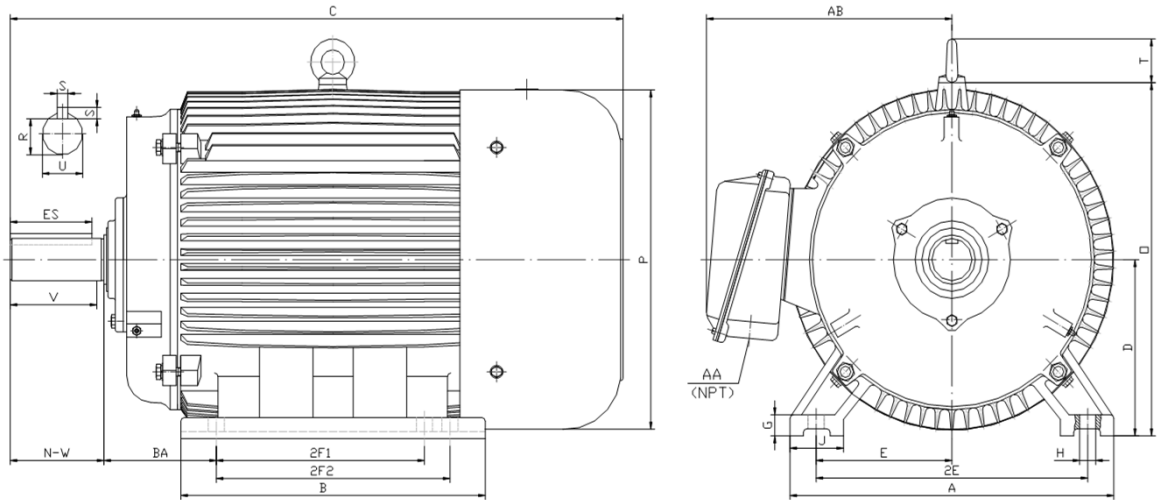
**GENERAL PURPOSE ELECTRIC MOTOR**

**HIGH EFFICIENCY / EISA COMPLIANT**

**TOTALLY ENCLOSED FAN COOLED**

**INVERTER DUTY 10:1 CT; 20:1 VT - NEMA MG1 PART 31**

Factory Certified for T2B Class I, Division II, Groups A,B,C & D and Class II, Division II, Groups F & G



**DIMENSIONS**

HP	RPM	Frame	MOUNTING														
			A	B	C	D	G	H	J	E	2E	2F1	2F2	O	P	T	BA
300	1200	449T	21.70	31.40	52.80	11.00	1.35	0.81	3.35	9.00	18.00	20.00	25.00	23.00	23.40	3.00	7.50

Shaft Extension, Key Set						Conduit Box		Bearings		Mount
U	V	R	S	ES	N-W	AA	AB	DE	ODE	
3.38	8.25	2.88	0.88	6.91	8.50	3.00	19.90	NU319	6318	F1

**BEARING LUBRICATION:** The bearings come lubricated with Mobil Polyrex EM Polyurea Grease. It is recommended that you add some additional lubrication when the motor is installed.

Three options (brands) for suitable lubrication include, but are not limited to, the following:

- 1.) Mobil Polyrex EM
- 2.) Citco Polyurea MP
- 3.) Conoco Phillips Polytac EP





## PE449T-300-6C

**GENERAL PURPOSE ELECTRIC MOTOR**

**HIGH EFFICIENCY / EISA COMPLIANT**

**TOTALLY ENCLOSED FAN COOLED**

**INVERTER DUTY 10:1 CT; 20:1 VT - NEMA MG1 PART 31**

Factory Certified for T2B Class I, Division II, Groups A,B,C & D and Class II, Division II, Groups F & G

### PERFORMANCE DATA

HP	RPM	Frame	Voltage	Frequency (Hz)	Full Load S.F.	Insulation Class	NEMA Design	Slip (%)	NEMA Code	Enclosure Type	IP Rating	Max. Ambient
300	1190	449T	460	60	1.15	F	C	0.8	G	TEFC	55	40° C

Amps (460V)		Efficiency (%)				Power Factor			Torque (ft-lb)			DE Bearing	ODE Bearing	Connection	Weight (lbs.)
FLA	LRA	100%	75%	50%	Min.	100%	75%	50%	FLT	LRT %	BDT %				
357.0	2200	95.0	94.6	94.0	94.1	0.82	0.79	0.71	1332	140	220	NU319	6318	6 Lead Δ	2532

### NAME PLATE

										<b>HIGH EFFICIENCY EISA COMPLIANT</b>			<b>CONNECTION DIAGRAMS (460V)</b>										
<b>INVERTER DUTY 20:1 VT; 10:1 CT</b>										<b>ACROSS THE LINE</b>													
										<b>PWS START</b>													
										<b>PWS RUN</b>													
CAT NO:		PE449T-300-6C				FRAME		449T		PHASE		3											
HZ		60		S.F.		1.15		HZ		50		S.F.		1.0		ENCL		TEFC		IP		55	
HP		300		RPM		1190		HP		300		RPM		985		DUTY		CONT		DES		C	
VOLTS				460				VOLTS				380				AMB		40° C		INS		F	
FLA				357.0				FLA				425				DE BEARING				NU319			
CODE		G		P.F.		0.82		CODE		E		P.F.		0.85		ODE BEARING				6318			
EFF		95.0		MIN		94.1		EFF		93.4		MIN		92.4		LUB: Mobil Polyrex EM							
MOTOR WEIGHT				2532 LBS				CONNECTION				6 Lead Δ				SER NO							
General purpose use on industrial machinery installed in damp, dusty or dirty environments. Hernando, Mississippi																CC 082A							

### APPLICATIONS:

General purpose use on pumps, fans, blowers, compressors, conveyors, material handling and other industrial machinery installed in damp, dusty or dirty environments.